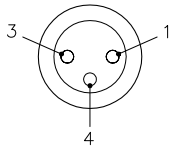
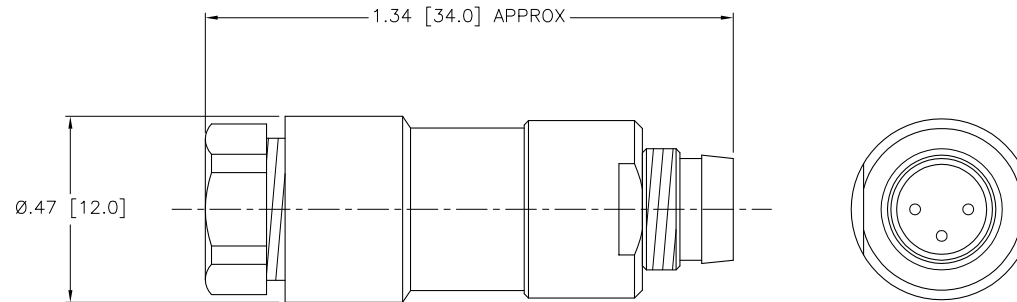


MALE END VIEW



SPECIFICATIONS

HOUSING MATERIAL/PLATING	PBT/BLACK
CONTACT MATERIAL/PLATING	GOLD-PLATED BRASS
RATED CURRENT [A]	4.0 A
RATED VOLTAGE [V]	60 VAC/75 VDC
MAXIMUM WIRE SIZE	26 AWG
CABLE GRIP RANGE	3-5 mm
TEMPERATURE RATING	-40°C to +85°C (-40°F to +185°F)
PROTECTION CLASS	MEETS NEMA 1,3,4,6P AND IEC IP67



SOURCE DRAWING - FOR REFERENCE ONLY

RELATED DOCUMENTS		3RD ANGLE PROJECTION		THIS DRAWING IS PROPERTY OF TURCK INC. USE OF THIS DOCUMENT WITHOUT WRITTEN PERMISSION IS PROHIBITED.		<b>TURCK INC</b> High Technology Sensors and Automation Controls 3000 CAMPUS DRIVE MINNEAPOLIS, MN 55441 1-800-544-7769 (763) 553-7300 (763) 553-0708 fax turck.com		
1.			ALL DIMENSIONS DISPLAYED ON THIS DRAWING ARE FOR REFERENCE ONLY	DRFT	CBM	DATE	04/26/99	
2.				DSGN		SCALE	1=5	DESCRIPTION
3.				UNIT OF MEASUREMENT			IDENTIFICATION NO.	REV
4.				<b>INCH [ MILLIMETER ]</b>			U6511	A
MATERIAL		CONTACT TURCK FOR MORE INFORMATION		DO NOT SCALE THIS DRAWING		FILE: U6511	SHEET 1 OF 1	

A	UPDATE GEOMETRY, PINOUT	CBM	04/26/99	T2813
REV	DESCRIPTION	BY	DATE	ECO NO.