



B180

Product type designation

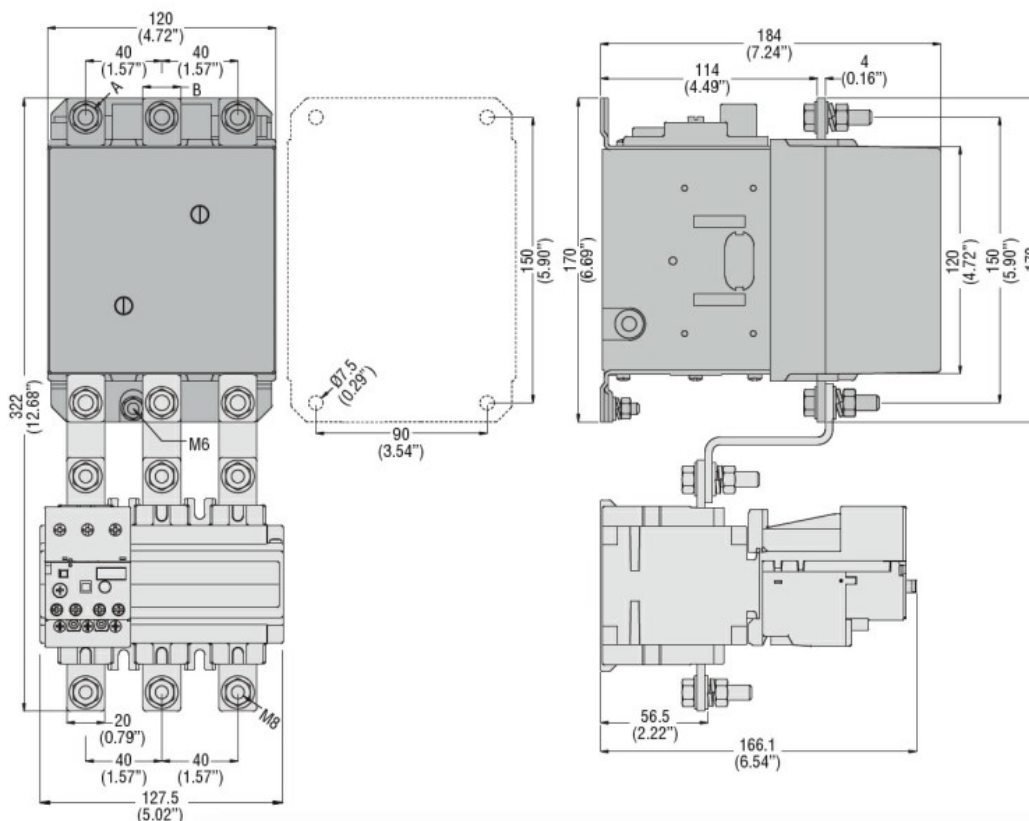
Contact characteristics

Number of poles	nr.	3
Rated insulation voltage U_i	V	1000
Rated impulse withstand voltage U_{imp}	kV	8
Operating frequency	Operational frequency min	Hz 25
	Operational frequency max	Hz 400
Conventional free air thermal current I_{th}	A	275
Operating current	Operational current AC3 ($\leq 440V \leq 55^\circ C$)	A 185
	Operational current AC4 (400V)	A 65
	Short-time allowable current for 10s (IEC/EN60947-1)	A 1500
Protection fuse	gG (IEC)	A 315
	aM (IEC)	A 200
Making capacity (RMS value)	A	1850
Breaking capacity at voltage	Breaking capacity 440V	A 1850
	Breaking capacity 500V	A 1600
	Breaking capacity 690V	A 1480
	Resistance per pole (average value)	m Ω
Power dissipation per pole (average value)	Power dissipation pole (average value) I_{th}	W 20.3
	AC3	W 9.7
Tightening torque for terminals	min	Nm 18
	max	Nm 18
	min	lbft 13.3
	max	lbft 13.3
Tightening torque for coil terminal	min	Nm 1
	max	Nm 1
	min	lbft 0.74
	max	lbft 0.74

Ambient conditions

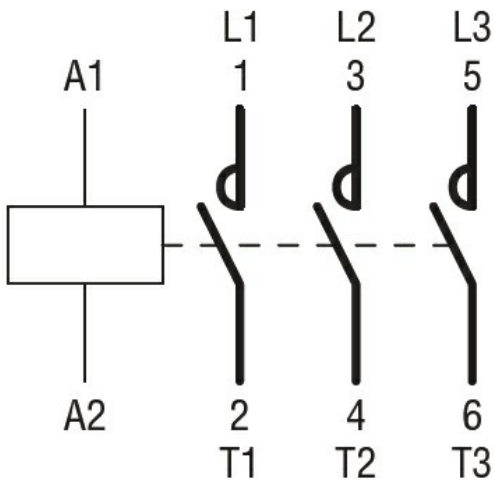
Temperature	Operating temperature	min	$^\circ C$	-50
		max	$^\circ C$	70
	Storage temperature	min	$^\circ C$	-60
		max	$^\circ C$	80
Max altitude		m		3,000
Operating position				

	normal allowable	Vertical plan ±30°
Mounting		Screw / DIN rail 35mm
Weight	g	5.4
Operations		
Mechanical life	Cycles	10,000,000
Electrical life	Cycles	1000000
Safety related data		
Mirror contacts according to IEC/EN 609474-4-1		Yes
EMC compatibility		Yes
AC coil operating		
Rated AC voltage at 50/60Hz, 60Hz	min V	24
	max V	480
AC operating voltage of 50/60Hz coil powered at 50Hz pick-up	min %Us	80
	max %Us	110
Dissipation at holding ≤20°C 50Hz	W	10
DC coil operating		
DC operating voltage		
Average coil consumption ≤20°C	in-rush W	300
	holding W	10
Max cycles frequency		
Mechanical operations	Cycles/h	3,600
Dimensions		



CONTACTOR TYPE	A	B
B115	M6	15 (0.59")
B145	M8	20 (0.79")
B180	M8	20 (0.79")

Wiring diagrams



Certifications and compliance

Certifications

CSA C22.2 n° 60947-1

CSA C22.2 n° 60947-4-1

IEC/EN 60947-1

IEC/EN 60947-4-1

UL 60947-1

UL 60947-4-1

Compliance

CCC

cULus

EAC

ETIM 6 classification

EC000066 - Power contactor, AC switching