



Model Number

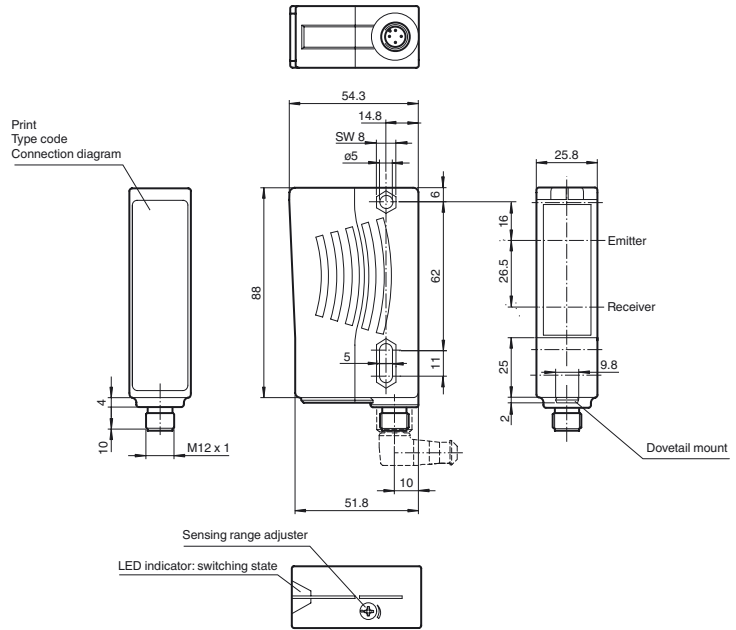
RL29-8-H-1200-RT/59/73c/136

Background suppression sensor with 4-pin, M12 x 1 plastic connector

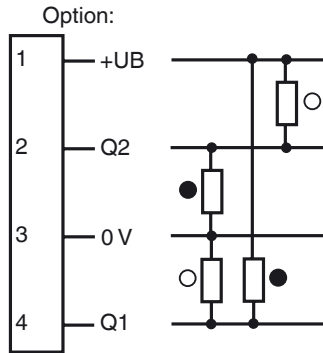
Features

- Highly visible LED
- Good alignability due to red transmission LED
- Minimal black-white difference
- Powerful push-pull output
- Optimal price/power ratio
- Protection class II

Dimensions

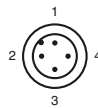


Electrical connection



○ = Light on
● = Dark on

Pinout



Wire colors in accordance with EN 60947-5-2

1	BN	(brown)
2	WH	(white)
3	BU	(blue)
4	BK	(black)

Release date: 2019-12-18 11:38 Date of issue: 2019-12-18 801788_eng.xml

Technical data**General specifications**

Detection range	30 ... 1200 mm , adjustable
Detection range min.	20 ... 200 mm
Detection range max.	30 ... 1200 mm
Background suppression	max. + 10 % of the upper limit of the detection range
Light source	LED 660 nm
Light type	modulated visible red light
Black/White difference (6%/90%)	< 35 % at 1200 mm sensor range
Diameter of the light spot	approx. 25 mm at a distance of 1200 mm
Angle of divergence	Emitter: 1.2 ° , Receiver: 2 °
Ambient light limit	50000 Lux

Functional safety related parameters

MTTF _d	720 a
Mission Time (T _M)	20 a
Diagnostic Coverage (DC)	0 %

Indicators/operating means

Function indicator	LED yellow: switching state
Control elements	Sensing range adjuster

Electrical specifications

Operating voltage	U _B	10 ... 30 V DC , class 2
Ripple		10 %
No-load supply current	I ₀	≤ 40 mA

Output

Switching type	dark on	
Signal output	2 push-pull (4 in 1) outputs, short-circuit protected, reverse polarity protected	
Switching voltage	max. 30 V DC	
Switching current	max. 100 mA	
Switching frequency	f	125 Hz
Response time		4 ms

Conformity

Product standard	EN 60947-5-2
------------------	--------------

Ambient conditions

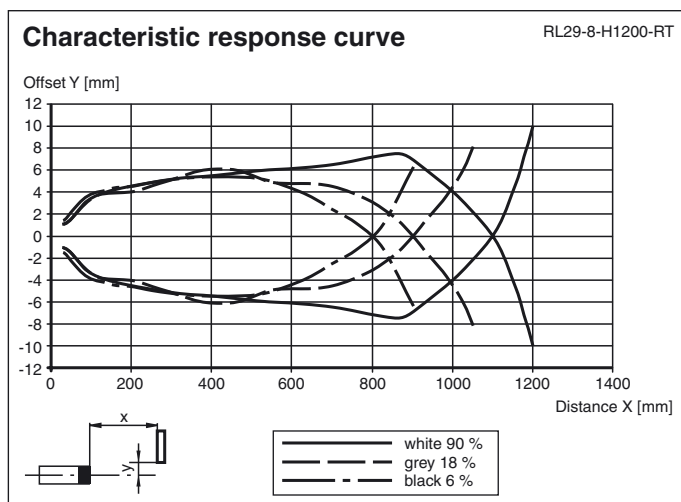
Ambient temperature	-25 ... 60 °C (-13 ... 140 °F)
Storage temperature	-40 ... 75 °C (-40 ... 167 °F)

Mechanical specifications

Housing width	25.8 mm
Housing height	88 mm
Housing depth	54.3 mm
Degree of protection	IP65
Connection	Plastic connector M12 x 1, 4-pin
Material	
Housing	Plastic ABS
Optical face	plastic
Mass	70 g

Approvals and certificates

Protection class	II, rated voltage ≤ 250 V AC with pollution degree 1-2 according to IEC 60664-1
UL approval	E87056 , cULus Listed , class 2 power supply , type rating 1

Curves/Diagrams**Accessories****OMH-05**

Mounting aid for round steel ø 12 mm or sheet 1.5 mm ... 3 mm

OMH-07

Mounting aid for round steel ø 12 mm or sheet 1.5 mm ... 3 mm

OMH-21

Mounting bracket

OMH-22

Mounting bracket

OMH-MLV11-K

dove tail mounting clamp

OMH-RLK29-HW

Mounting bracket for rear wall mounting

OMH-RL28-C

Weld slag cover model

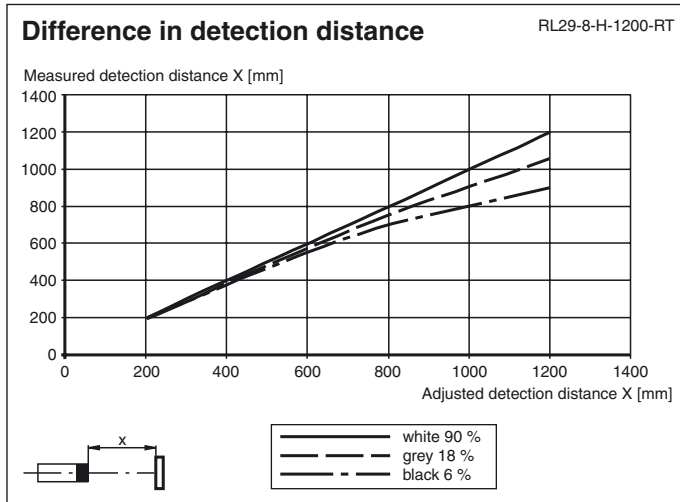
V1-G-2M-PUR

Female cordset, M12, 4-pin, PUR cable

V1-W-2M-PUR

Female cordset, M12, 4-pin, PUR cable

Other suitable accessories can be found at www.pepperl-fuchs.com



Release date: 2019-12-18 11:38 Date of issue: 2019-12-18 801788_eng.xml

Refer to "General Notes Relating to Pepperl+Fuchs Product Information".

Pepperl+Fuchs Group
www.pepperl-fuchs.com

USA: +1 330 486 0001
fa-info@us.pepperl-fuchs.com

Germany: +49 621 776 1111
fa-info@de.pepperl-fuchs.com

Singapore: +65 6779 9091
fa-info@sg.pepperl-fuchs.com