



Model Number

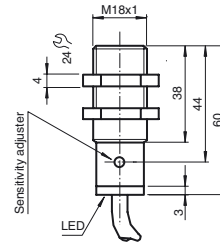
OBT500-18GM60-E5

Diffuse mode sensor
with 2 m fixed cable

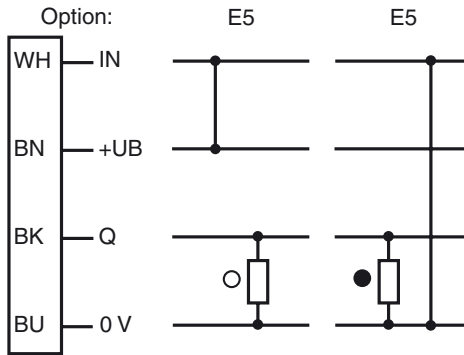
Features

- Dual color indication LED
- High switching frequency
- Light/dark ON, programmable
- Degree of protection IP67
- Strong metallic housing in cylindrical shape M18 x 1

Dimensions



Electrical connection



○ = Light on
● = Dark on

Release date: 2019-11-25 10:14 Date of issue: 2019-11-25 087796_eng.xml

Refer to "General Notes Relating to Pepperl+Fuchs Product Information".

Technical data

General specifications

Detection range	0 ... 500 mm
Reference target	standard white 200 mm x 200 mm
Light source	IRET , 880 nm
Light type	infrared
Diameter of the light spot	approx. 80 mm at 500 mm
Ambient light limit	10000 Lux

Indicators/operating means

Operation indicator	LED green
Function indicator	Dual color-LED, yellow/green yellow: switching state green: power on flashing: stability control
Control elements	Sensing range adjuster

Electrical specifications

Operating voltage	U_B	10 ... 30 V DC , class 2
Ripple		10 %
No-load supply current	I_0	≤ 25 mA
Time delay before availability	t_v	≤ 25 ms

Output

Switching type	light/dark on electrically switchable	
Signal output	1 PNP output, short-circuit protected, reverse polarity protected, open collector	
Switching voltage	max. 30 V DC	
Switching current	max. 100 mA	
Voltage drop	U_d	≤ 2.5 V
Switching frequency	f	500 Hz
Response time		1 ms

Conformity

Product standard	EN 60947-5-2
------------------	--------------

Standard conformity

Standards 2	UL 508
-------------	--------

Ambient conditions

Ambient temperature	-25 ... 55 °C (-13 ... 131 °F)
Storage temperature	-40 ... 70 °C (-40 ... 158 °F)

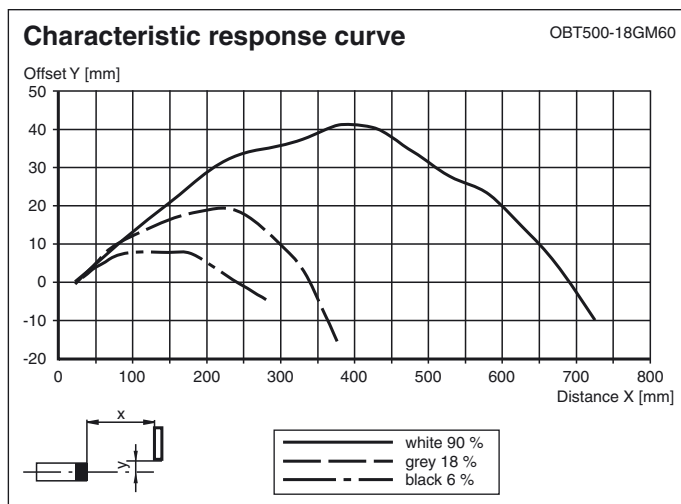
Mechanical specifications

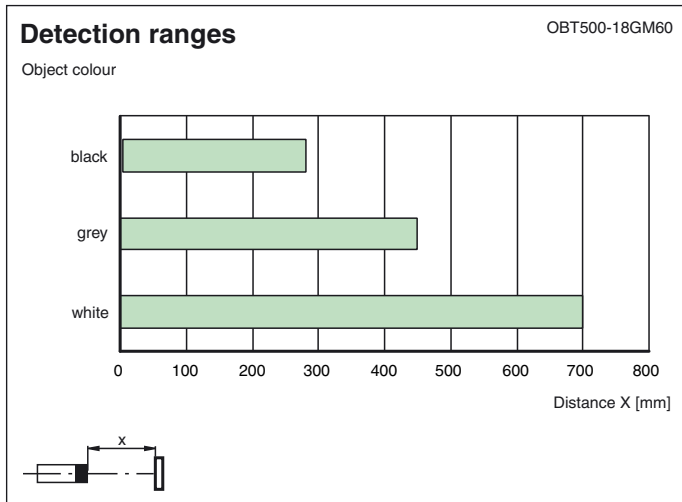
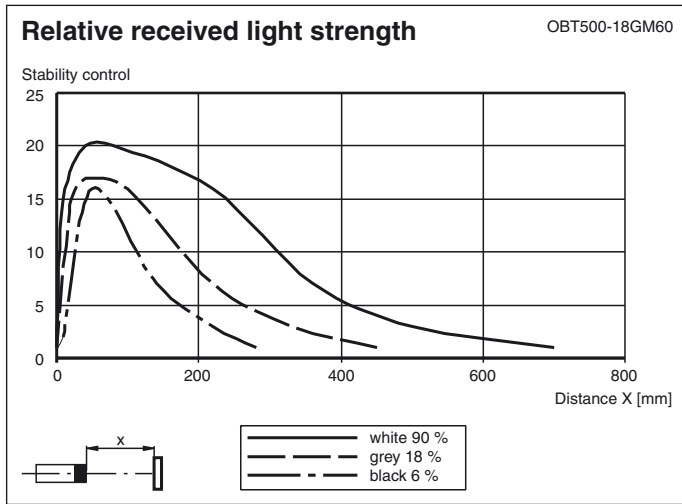
Degree of protection	IP67
Connection	2 m fixed cable
Material	
Housing	brass, nickel-plated
Optical face	PC
Mass	110 g

Approvals and certificates

UL approval	cULus Listed, Type 1 enclosure
CCC approval	CCC approval / marking not required for products rated ≤36 V
Approvals	CE, cULus Listed 57M3 (Only in association with UL Class 2 power supply; Type 1 enclosure)

Curves/Diagrams





Release date: 2019-11-25 10:14 Date of issue: 2019-11-25 087796_eng.xml