



Product designation	Three-phase energy meters		
Product type designation	DMED302MID		
Type	Three-phase + neutral		
DIN rail module number	4		
Auxiliary supply Us			
Operational frequency	min	Hz	50
Power consumption	Max	VA	20
Power dissipation Max		W	1.35
Measuring voltage inputs			
Rated voltage (Ue)	phase-phase	VAC	400
	phase-neutral	VAC	230
Operating voltage range	phase-phase	VAC	323...456
	phase-neutral	VAC	187...264
Connection method	Direct		
Current			
IEC maximum (Imax)		A	63
IEC minimum (Imin)		A	0.5
IEC rated (Iref-Ib)		A	10
IEC start (Ist)		mA	40
Transition (Itr)		A	1
Accuracy			
Measurement conditions (T +23°C ±1°C / Rel. Humidity 45 ±15% R.H.)			
	active energy	Class B (EN50470-3)	
	reactive energy	Class 2 (IEC/EN 62053-23)	
Output characteristics			
LED Pulse rate		pulse/kWh	1000
LED Pulse duration		ms	30
Static output pulse rate		pulse/kWh	1-10-100-1000 programmable
			100 for 1-10-10 pulse; 60 for 1000 pulse
Static output pulse duration		ms	100 for 1-10-10 pulse; 60 for 1000 pulse
Static output external voltage		VDC	10...30
Static outputs Maximum current		mA	50
Insulations			
Rated insulation voltage Ui IEC/EN		V	250
Rated impulse withstand voltage Uimp		kV	6
Operating frequency withstand voltage		kV	4

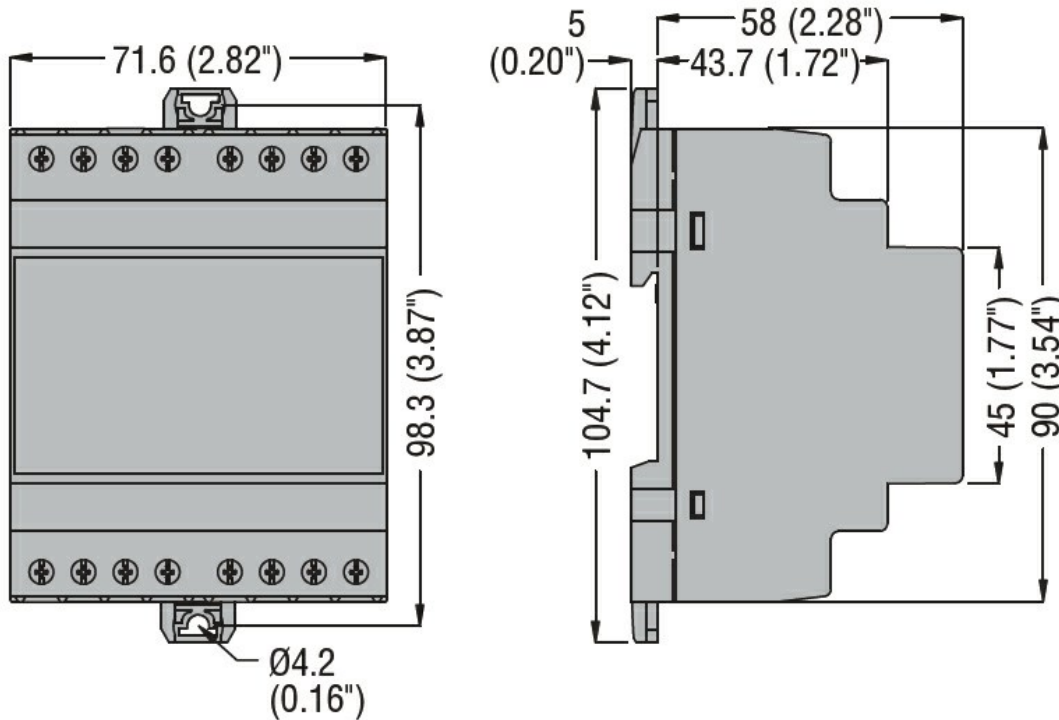
Mechanical features

Housing type	Polyamide		
Terminals type	Fixed		
Conductor cross section	min	mm ²	2.5
	Max	mm ²	16
	min	AWG	16
	Max	AWG	6
Tightening torque (Max)		Nm	2
		lbin	14
Fixing	DIN rail		
Weight	g	360	

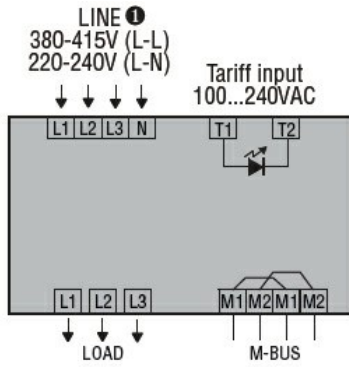
Ambient conditions

Temperature	Operating temperature	min	°C	-25
		max	°C	+55
	Storage temperature	min	°C	-25
		max	°C	+70
Relative humidity		%	<80	
Maximum Pollution degree	2			
Mechanical environment	Class M1			
Magnetic environment	Class E1			

Dimensions



Wiring diagrams



Certifications and compliance

Compliance

EN50470-1

EN50470-3

TR 50579

Certificates

EAC

MID (moduli B + D)

RCM

ETIM classification

ETIM 8.0

EC001506 -
Kilowatt-hour
meter