



Product type designation				B630	
Contact characteristics					
Number of poles	nr.			3	
Rated insulation voltage U_i	V			1000	
Rated impulse withstand voltage U_{imp}	kV			8	
Operating frequency	Operational frequency min	Hz	25		
	Operational frequency max	Hz	400		
Conventional free air thermal current I_{th}	A			800	
Operating current	Operational current AC3 ($\leq 440V \leq 55^\circ C$)	A	630		
	Operational current AC4 (400V)	A	210		
Short-time allowable current for 10s (IEC/EN60947-1)	A			5040	
Protection fuse	gG (IEC)	A	1000		
	aM (IEC)	A	630		
Making capacity (RMS value)	A			6300	
Breaking capacity at voltage	Breaking capacity 440V	A	6300		
	Breaking capacity 500V	A	5600		
	Breaking capacity 690V	A	5000		
Resistance per pole (average value)	m Ω			0.14	
Power dissipation per pole (average value)	Power dissipation pole (average value) I_{th}	W	90		
	AC3	W	56		
Tightening torque for terminals	min	Nm	55		
	max	Nm	55		
	min	lbft	40.6		
	max	lbft	40.6		
Tightening torque for coil terminal	min	Nm	1		
	max	Nm	1		
	min	lbft	0.74		
	max	lbft	0.74		
Ambient conditions					
Temperature	Operating temperature		min	$^\circ C$ -50	
			max	$^\circ C$ 70	
		Storage temperature		min	$^\circ C$ -60
				max	$^\circ C$ 80
Max altitude			m	3,000	
Operating position					

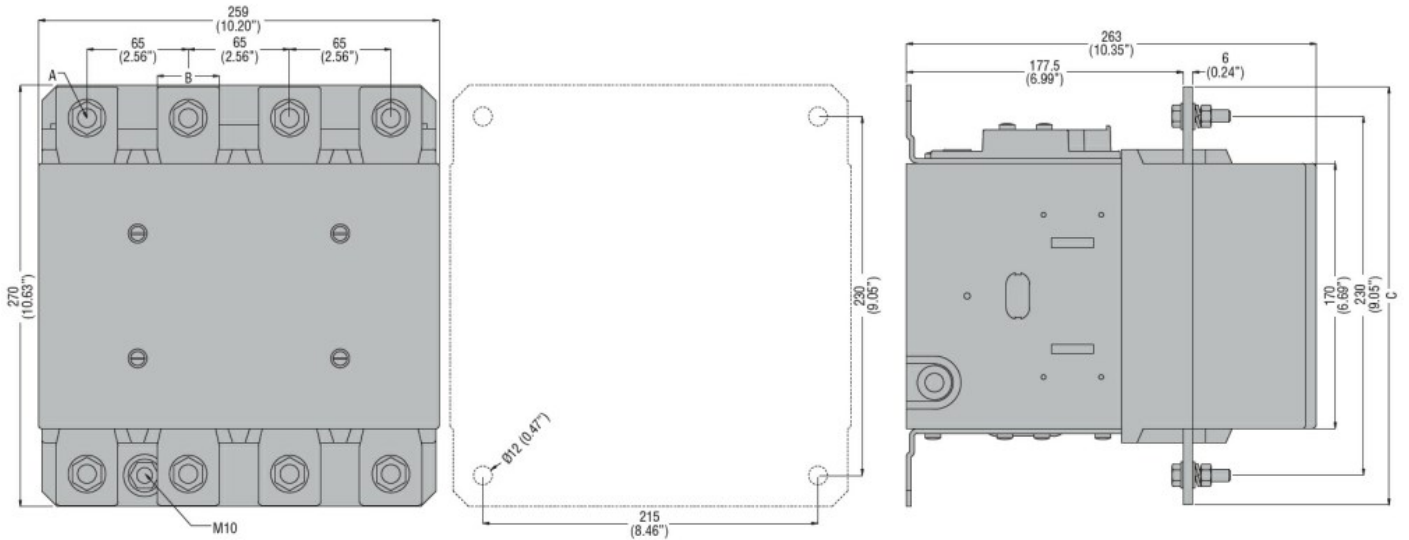
	normal allowable	Vertical plan ±30°
Mounting		Screw / DIN rail 35mm
Weight	g	18.62
Operations		
Mechanical life	Cycles	5,000,000
Electrical life	Cycles	700000
Safety related data		
Mirror contacts according to IEC/EN 609474-4-1		Yes
EMC compatibility		Yes
AC coil operating		
Rated AC voltage at 50/60Hz, 60Hz	min V	48
	max V	480

AC operating voltage		
of 50/60Hz coil powered at 50Hz pick-up	min %Us	80
	max %Us	110

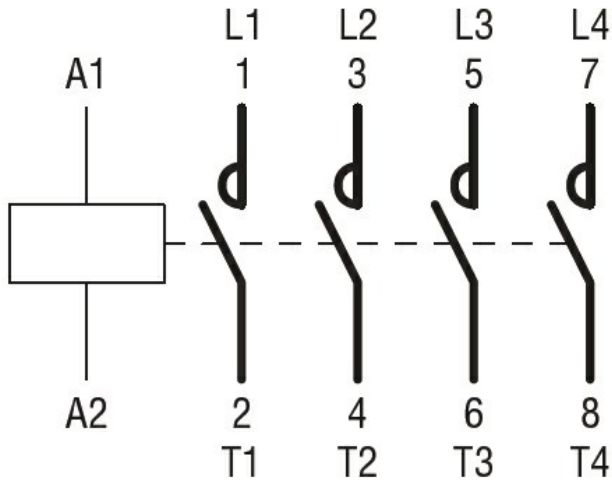
DC coil operating			
DC operating voltage			
Average coil consumption ≤20°C			
	in-rush W		400
	holding W		18

Max cycles frequency	
Mechanical operations	Cycles/h 3,600

Dimensions



Wiring diagrams



Certifications and compliance

Certifications

CSA C22.2 n° 60947-1

CSA C22.2 n° 60947-4-1

IEC/EN 60947-1

IEC/EN 60947-4-1

UL 60947-1

UL 60947-4-1

Compliance

CCC

cULus

EAC

ETIM 6 classification

EC000066 - Power contactor, AC switching