

### Accessory rope pull switch

Rope, galvanised with PVC-jacket



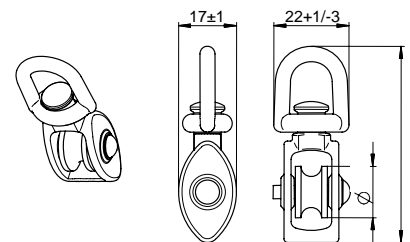
Rope- Ø / jacket- Ø	Design	min. braking force	Art.-No.	Art.-Desc.
D 3 / D 4	acc. to DIN 3055	538 kp	570314	PSEN rs rope d3/d4 50m
D 3 / D 4	acc. to DIN 3055	538 kp	570315	PSEN rs rope d3/d4 100m

Material: FE-galvanised, strength 1770N/mm<sup>2</sup>  
PVC-jacket, red

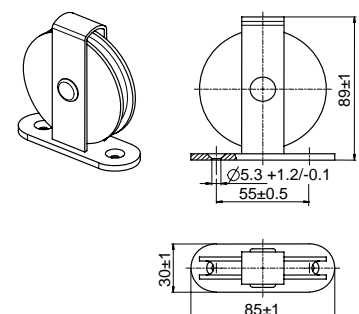
Pulley block, hinged

Art.-No.	Art.-Desc.
570313	PSEN rs pulley flex

Material: Zinc-base die-casting alloy (Roller: polyamide)  
Plating: blue passivated, RoHs-conform



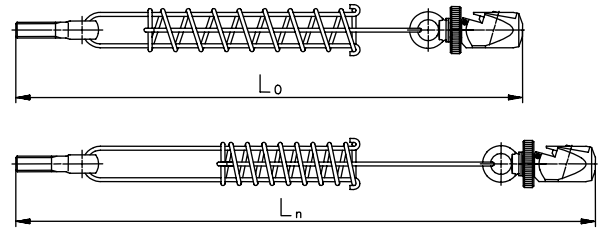
Deflection pulley Ø 75 for rope diameter up to 8 mm



Roller- Ø	Load capacity	Rope- Ø max.	Art.-No.	Art.-Desc..
75 mm	15 kg	8 mm	570312	PSEN rs pulley 75

Material: Steel /Polyamide  
blue passivated, RoHs-conform

Rope pull spring



$F_n$	R	$L_0$	$L_n$	Art.-No.	Art.-Desc.
218 N	2,1 N/mm	383 mm	487 mm	570310	PSEN rs spring 175
335 N	1,9 N/mm	483 mm	653 mm	570311	PSEN rs spring 300

Material:	Wire acc. to DIN 2076 – 1.4310
	Rope clamp - Zinc-base die-casting alloy
	Eye bolt acc. to DIN 444 – 4.6
Plating:	Thick-film passivated (except spring), RoHs-conform

$F_n$  : Spring Force at  $L_n$   
 $R$  : Spring Rate