



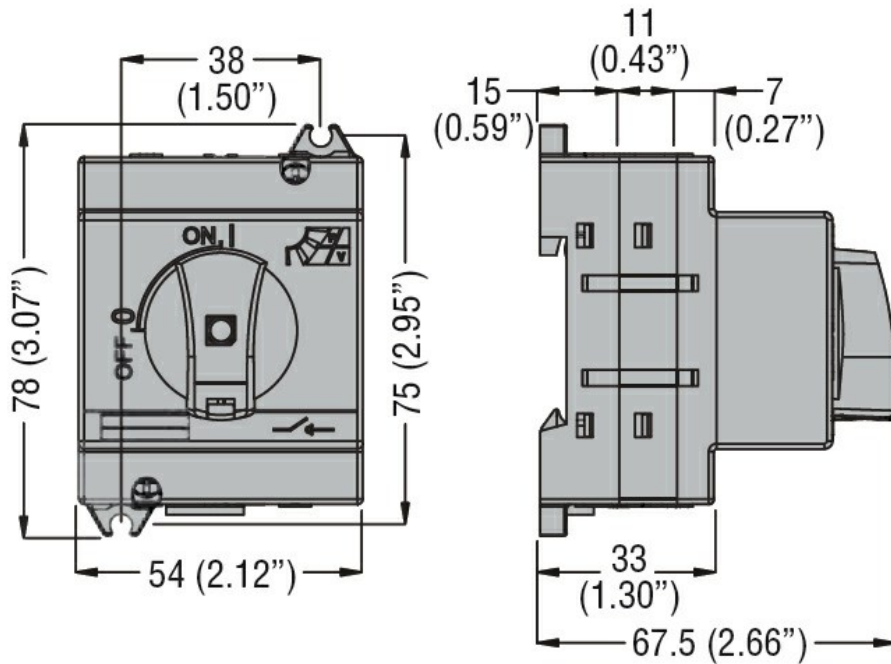
Product designation				Switch disconnecter
Product type designation				GD
Number of poles	Nr.			2
Operating voltage type				DC
Contact characteristics				
IEC Conventional free air thermal current I _{th}	A			25
Rated insulation voltage U _i IEC/EN	V			1000
Rated impulse withstand voltage U _{imp}	kV			8
Operating current I _e	DC21A			
	600V	A	25	
	800V	A	25	
	1000V	A	16	
Power dissipation per pole max	W		0.8	
Mechanical life	cycles		10000	
Mechanical features				
Operating position	normal allowable			Vertical plan Any
Fixing				Screw / DIN rail 35mm
Terminals	type			Screw with washer
	tool			Phillips 1
Tightening torque for terminals	min	Nm	1.2	
	max	Nm	1.6	
	min	I _{bin}	1.3	
	max	I _{bin}	1.2	
Conductor section	IEC min	mm ²	1	
	IEC max	mm ²	10	
	AWG/kcmil min			18
	AWG/kcmil max			8
UL technical data				
UL Standard				UL60947-4-1
Ambient conditions				
Operating temperature	min	°C	-25	
	max	°C	+55	
Storage temperature	min	°C	-40	
	max	°C	+70	
Max altitude	m		3000	

Resistance & Protection

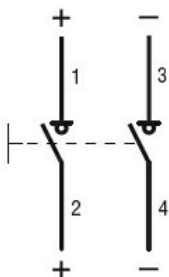
Frontal IP degree

IP20

Dimensions



Wiring diagrams



Certifications and compliance

Compliance

IEC/EN 60947-1

IEC/EN 60947-3

Certifications

EAC

ETIM classification

ETIM 8.0

EC000216 -
Switch
disconnecter