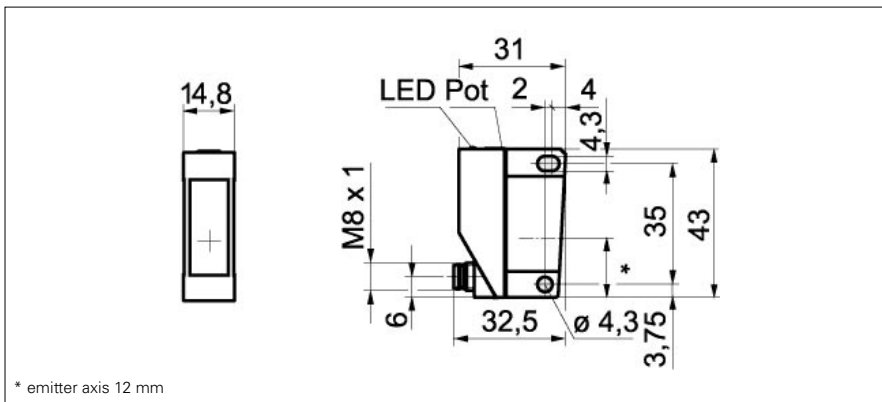


**Diffuse sensors with background suppression**

**FHDK 14P5101/S35A**

**dimension drawing**



**general data**

type	background suppression
light source	pulsed red diode
sensing distance Tw	20 ... 350 mm
sensing range Tb (at Tw max.)	20 ... 350 mm
sensing range Tb (at Tw min.)	5 ... 20 mm
soiled lens indicator / alignment aid	flashing light indicator
light indicator	LED yellow
output indicator	LED yellow
sensitivity adjustment	mechanical, 10 turn
wave length	660 nm

**electrical data**

response time / release time	< 1 ms
voltage supply range +Vs	10 ... 30 VDC
current consumption max.	40 mA
current consumption typ.	35 mA
voltage drop Vd	< 2,2 VDC
output function	light / dark operate
output circuit	PNP
output current	< 100 mA
short circuit protection	yes
reverse polarity protection	yes

**mechanical data**

width / diameter	14,8 mm
height / length	43 mm
depth	31 mm
type	rectangular
housing material	plastic (PBT-ASA)
connection types	connector

**ambient conditions**

operating temperature	-25 ... +65 °C
protection class	IP 67

**photo**



**connection diagram**

