



Model Number

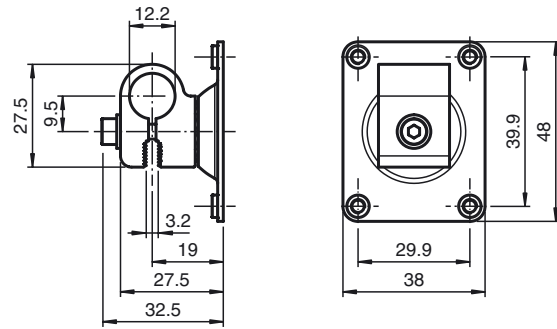
OMH-R200-01

Mounting aid for round steel \varnothing 12 mm or sheet 1.5 mm ... 3 mm

Features

- Bracket for round steel or sheet
- Simple and fast mounting

Dimensions



Technical data

Mechanical specifications

Material	Aluminum Metal sheet (steel), zinc-plated
Screwed connection	Screws for assembly included
Mass	approx. 60 g
Note	Infinitely adjustable on all axes

Suitable series

Series	R200 series
--------	-------------