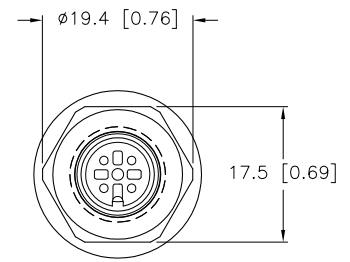
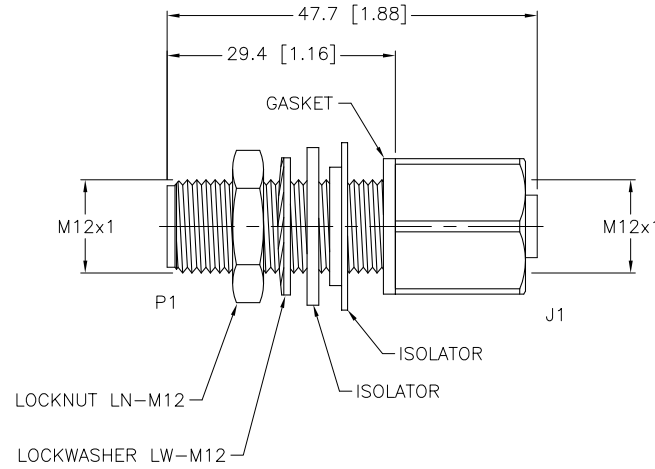
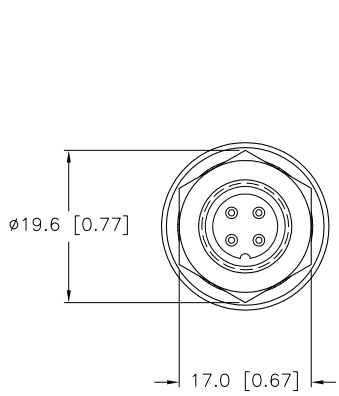
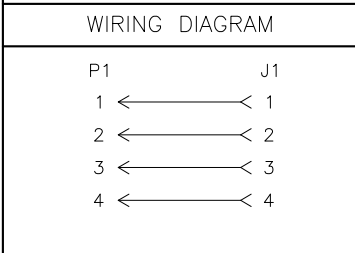


SPECIFICATIONS	
CONTACT CARRIER MATERIAL	NYLON OR TPU
CONTACT MATERIAL/PLATING	BRASS/GOLD
HOUSING MATERIAL/PLATING	BRASS/NICKEL
RATED CURRENT [A]	4.0 A
RATED VOLTAGE [V]	150 V
TEMPERATURE RANGE	-40°C to +80°C (-40°F to +176°F)
PROTECTION CLASS	MEETS NEMA 1,3,4,6P AND IEC IP68
GASKET MATERIAL	NITRILE (BUNA N)
ISOLATOR MATERIAL	NYLON



SOURCE DRAWING - FOR REFERENCE ONLY

RELATED DOCUMENTS		3RD ANGLE PROJECTION	THIS DRAWING IS CONFIDENTIAL AND THE PROPERTY OF TURCK INC. USE OF THIS DOCUMENT WITHOUT WRITTEN PERMISSION IS PROHIBITED.	 3000 CAMPUS DRIVE MINNEAPOLIS, MN 55441 1-800-544-7769 (763) 553-7300 (763) 553-0708 fax turck.com			
1.				DRFT	JB	DATE	12/13/01
2.		DSGN		SCALE	1=1.0		
3.		UNIT OF MEASUREMENT		IDENTIFICATION NO.		REV	D
4.		MILLIMETER [INCH]		U1135-1			
MATERIAL	SEE SPECIFICATIONS	ALL DIMENSIONS DISPLAYED ON THIS DRAWING ARE FOR REFERENCE ONLY		CONTACT TURCK FOR MORE INFORMATION		DO NOT SCALE THIS DRAWING	
FINISH	SEE SPECIFICATIONS	MATERIAL		DESCRIPTION		FILE: U1135-1	
D	UPDATE VOLTAGE RATING AND PROTECTION CLASS	RDS	07/28/11	35766	SHEET 1 OF 1		
REV	DESCRIPTION	BY	DATE	ECO NO.			