



Product type designation

B310

**Contact characteristics**

Number of poles	nr.	3
Rated insulation voltage $U_i$	V	1000
Rated impulse withstand voltage $U_{imp}$	kV	8
Operating frequency	Operational frequency min	Hz 25
	Operational frequency max	Hz 400
Conventional free air thermal current $I_{th}$	A	450
Operating current	Operational current AC3 ( $\leq 440V \leq 55^\circ C$ )	A 320
	Operational current AC4 (400V)	A 110
Short-time allowable current for 10s (IEC/EN60947-1)	A	2900
Protection fuse	gG (IEC)	A 500
	aM (IEC)	A 400
Making capacity (RMS value)	A	3150
Breaking capacity at voltage	Breaking capacity 440V	A 3000
	Breaking capacity 500V	A 2700
	Breaking capacity 690V	A 2520
Resistance per pole (average value)	m $\Omega$	0.2
Power dissipation per pole (average value)	Power dissipation pole (average value) $I_{th}$	W 40.5
	AC3	W 20
Tightening torque for terminals	min	Nm 35
	max	Nm 35
	min	lbft 25.8
	max	lbft 25.8
Tightening torque for coil terminal	min	Nm 1
	max	Nm 1
	min	lbft 0.74
	max	lbft 0.74

**Ambient conditions**

Temperature

Operating temperature

min	$^\circ C$	-50
max	$^\circ C$	70

Storage temperature

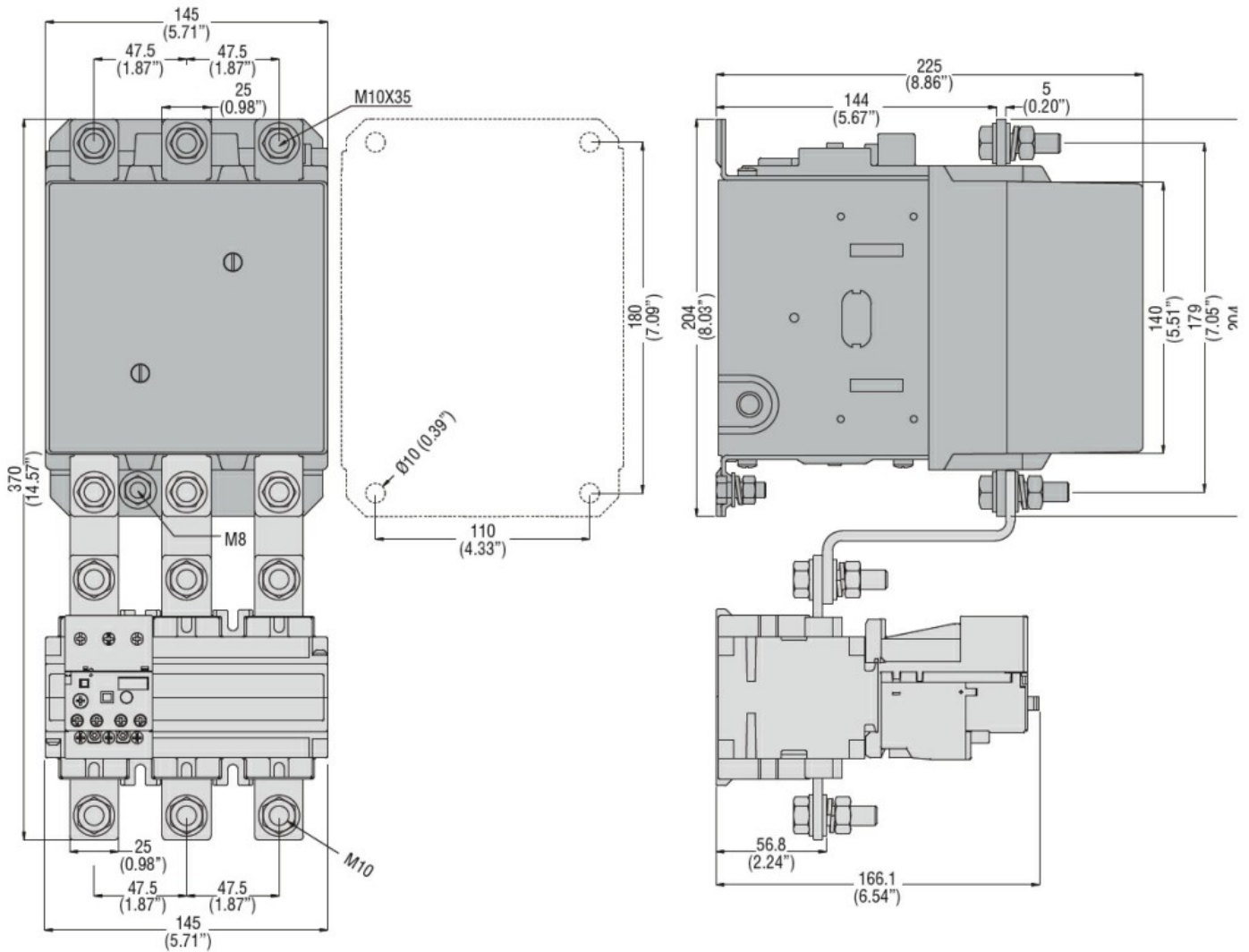
min	$^\circ C$	-60
max	$^\circ C$	80

Max altitude

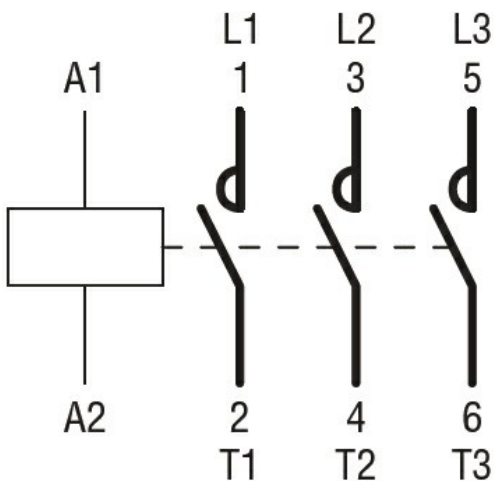
m 3,000

Operating position

	normal allowable		Vertical plan ±30°
Mounting			Screw / DIN rail 35mm
Weight		g	9.575
<b>Operations</b>			
Mechanical life		Cycles	10,000,000
Electrical life		Cycles	700000
<b>Safety related data</b>			
Mirror contacts according to IEC/EN 609474-4-1			Yes
EMC compatibility			Yes
<b>AC coil operating</b>			
Rated AC voltage at 50/60Hz, 60Hz		min V	24
		max V	480
AC operating voltage			
	of 50/60Hz coil powered at 50Hz pick-up		
		min %Us	80
		max %Us	110
<b>DC coil operating</b>			
DC operating voltage			
Average coil consumption ≤20°C		in-rush W	300
		holding W	10
<b>Max cycles frequency</b>			
Mechanical operations		Cycles/h	3,600
<b>Dimensions</b>			



### Wiring diagrams



### Certifications and compliance

#### Certifications

- CSA C22.2 n° 60947-1
- CSA C22.2 n° 60947-4-1
- IEC/EN 60947-1
- IEC/EN 60947-4-1
- UL 60947-1

---

UL 60947-4-1

---

Compliance

CCC

---

cULus

---

EAC

---

**ETIM 6 classification**

EC000066 - Power contactor, AC switching