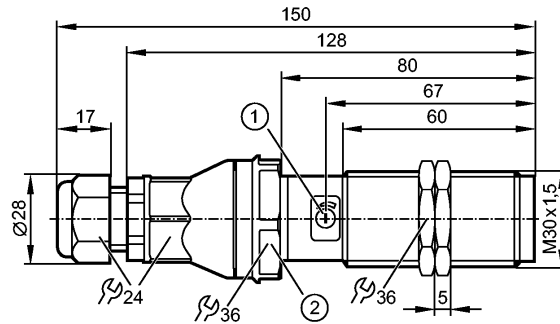


**KI000A**

KIE2150NFBOA/3D

Capacitive sensors



1: potentiometer  
2: tightening torque 10 Nm

Made in Germany



**Product characteristics**

Capacitive sensor
Plastic thread M30 x 1.5
Terminals
ATEX approval
Group II, category 3D
Sensing range 15 mm; adjustable; [nf] non-flush mountable

**Electrical data**

Electrical design	AC/DC
Operating voltage [V]	20...250 DC / 30...250 AC
Protection class	II
Reverse polarity protection	yes

**Outputs**

Output function	normally open / closed programmable
Voltage drop [V]	< 10 AC / < 8 DC
Minimum load current [mA]	5
Leakage current [mA]	< 2.5 (250 V AC) / < 1.7 (110 V AC) / < 1.5 (24 V DC)

<b>Current rating</b>	
- Current rating (continuous) [mA]	100 (150 bei <40°C)
- Current rating (peak) [mA]	î: 1000 (20ms / 0.5Hz)
Short-circuit proof	no
Overload protection	no
Switching frequency [Hz]	10 *

**Range**

Sensing range [mm]	15, adjustable
Real sensing range (Sr) [mm]	15 ± 10 %

**Accuracy / deviations**

Correction factors	water = 1 / glass approx. 0.4 / ceramics approx. 0.2 / PVC approx. 0.2
Hysteresis [% of Sr]	1...15
Switch-point drift [% of Sr]	-20...20

**Environment**

Ambient temperature [°C]	-20...60
Protection	IP 65 / IP 67

**Tests / approvals**

**KI000A**

KIE2150NFBOA/3D

Capacitive sensors

Marking of the unit	Ex II 3D Ex tc IIIC T90°C Dc X	
EMC	EN 61000-4-2 ESD:	kV / 8 kV AD
	EN 61000-4-3 HF radiated:	3 V/m (80...2000 MHz)
	EN 61000-4-4 Burst:	2 kV
	EN 61000-4-5 Surge:	1 kV (line to line, Ri: 20hm)
	EN 61000-4-6 HF conducted:	3 V (0.15...80 MHz)
	EN 55011:	class B
MTTF [Years]	305	

**Mechanical data**

Mounting	non-flush mountable	
Housing materials	PBT; PA	
Weight [kg]	0.152	

**Displays / operating elements**

Output status indication	LED	yellow
--------------------------	-----	--------

**Electrical connection**

Connection	terminals 0.34 up to 2.5 mm <sup>2</sup> ; cable diameter 5...9 mm, cable gland M20 x 1.5	
------------	---	--

**Wiring**



Note: miniature fuse to IEC60127-2 sheet 1, ≤ 2 A (fast acting)  
Place the fuse outside the hazardous area.

**Accessories**

Accessories (included)	2 lock nuts	
------------------------	-------------	--

**Remarks**

Remarks	*) only for resistive loads; 2 Hz for utilisation category AC-140 Recommendation: check the unit for reliable function after a short circuit.	
---------	--	--

Pack quantity [piece]	1	
-----------------------	---	--