

Mini free-standing Beacons / Permanent Light 200
Permanent Beacon BM 12-230VAC/DC RD



Part No.: 200.100.00



| MECHANICAL DATA | |
|------------------------------|-----------------------------|
| Height | 66 mm |
| Diameter | 57 mm |
| Materials | PA-GF PC |
| Dome colour | Red |
| Housing colour | Black |
| Protection category | IP65 |
| Connection | Spring-type terminal |
| cross-sectional area maximum | 2,50mm ² / 14AWG |
| Cable entry | Through hole |
| Cable entry maximum | d = 10 mm |
| Type of fixing | Base mounting |
| Working temperature minimum | -20°C |
| Working temperature maximum | +50°C |
| Weight with packaging | 69 g |
| Product weight | 47 g |

| ELECTRICAL DATA | |
|------------------------|--------------------------|
| Operating voltage | 12-230V |
| Operating voltage type | AC/DC |
| Protection class | Protection class 2 |
| Pollution degree | 3 |
| Overvoltage category | II |
| Isolation voltage | Ui = 250V; Uimp = 2.500V |

| OPTICAL DATA | |
|----------------------|-----------------|
| Light source | Filament lamp |
| Light colour | Red |
| Optical signal image | Permanent |
| Service life optical | depends on bulb |
| Lamp fitting/socket | B15d |

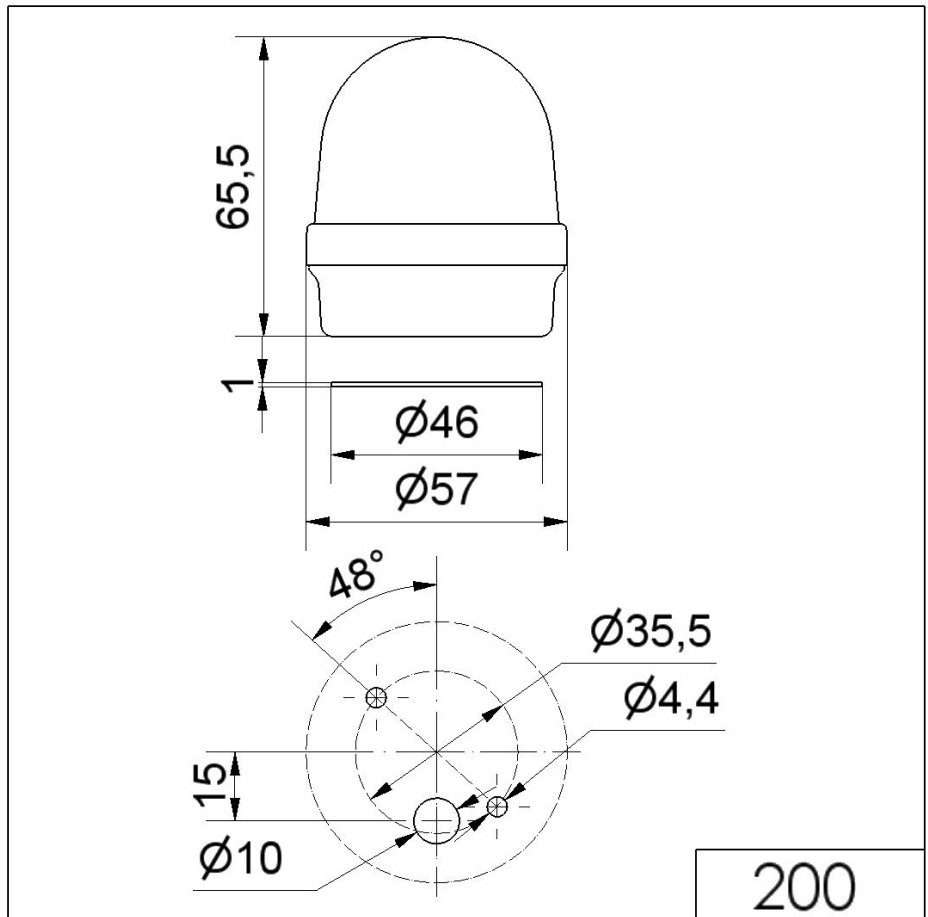
| APPROVAL DATA | |
|------------------------------|---------|
| Conforms with CE | Yes |
| WEEE | Yes |
| Conforms with ATEX-directive | No |
| Conforms with CCC | Yes |
| Conforms with UL | cULus |
| UL Type Rating | Type 12 |

! For additional installation and mounting information, refer to the appropriate user guide at www.werma.com. This printed copy is for information only and is subject to alteration.

Mini free-standing Beacons / Permanent Light 200
Permanent Beacon BM 12-230VAC/DC RD

| | |
|---------------------------|-----|
| EAC certificate available | Yes |
| ICAO Certification | No |
| Conforms with RoHS CN | No |

DRAWING



! For additional installation and mounting information, refer to the appropriate user guide at www.werma.com. This printed copy is for information only and is subject to alteration.