

Hour meters / timers, electronic

LCD hour meters **Max. time range 9999 h 59 min 59 sec or 999999.9 sec (battery)** **Codix 135**



The Codix 135 is a simple battery-powered hour meter for PNP, NPN and high-voltage applications.

Its 8-digit LCD display with optional backlighting can display various time ranges.



Battery powered	Timer	Pulse counter/ Totaliser	DC 4 ... 30 V	AC 10 ... 260 V	Temperature range - 10° + 60°	High protection level IP65	DIN front bezel DIN 48 x 24	8 LCDs	Lockable reset

Powerful

- High quality LCD display with 8 mm high figures - optional display backlighting
- Time range up to 9999999.9 seconds or 9999h99m99s programmable via control input
- Battery lifetime 8 years
- High voltage versions for 10 ... 260 V AC/DC voltage pulses, thus to be connected directly via contactors, relays and motors
- Very high accuracy: 100 ppm

Simple

- Screw terminals, RM 5 mm
- Reset key lockable via the input 'Reset Enable'
- According to version for PNP, NPN switching level or high voltage version for 10 ... 260 V AC/DC switching voltage
- Accumulated time is always readable thanks to battery powering
- High protection level IP65

Order code

6.135 . 012 . 8XX
a b

a Backlighting
 5 = without ¹⁾
 6 = with

b Count input

Mode	INP A:		INP B	
0 = Timer ¹⁾	–	–	0 ... 0.7 V DC	NPN
1 = Timer ¹⁾	–	–	4 ... 30 V DC	PNP
3 = Timer ¹⁾	10 ... 260 V AC/DC	AC/DC	10 ... 260 V AC/DC	AC/DC

Delivery specification

- Timer
- Mounting clip
- Front bezel for screw mounting (T008181)
56 x 40 mm [2.20 x 1.57"], panel cut-out 50 x 25 mm [1.97 x 0.98"]
- Front bezel for clip mounting (T008180)
53 x 28 mm [2.09 x 1.10"], panel cut-out 50 x 25 mm [1.97 x 0.98"]
- Gasket
- Instruction manual, multilingual

1) Stock types

Hour meters / timers, electronic

LCD hour meters Max. time range 9999 h 59 min 59 sec or 9999999.9 sec (battery) Codix 135

Accessories	Dimensions in mm [inch]	Order-No.
Adapter front bezel, 72 x 36 [2.83 x 1.42]	For cut-out 68 x 33 [2.68 x 1.30] to cut-out 45 x 22.2 [1.77 x 0.87], for counters 48 x 24 [1.89 x 0.94], as set black and silver anodised	162704 Set
Adapter front bezel, 48 x 48 [1.89 x 1.89]	For cut-out 45 x 45 [1.77 x 1.77] to cut-out 45 x 22.2 [1.77 x 0.87], with clip mounting for counters 48 x 24 [1.89 x 0.94] black	T008883
Adapter front bezel, 60 x 50 [2.36 x 1.97]	For cut-out 54 x 29 [2.13 x 1.14] to cut-out 45 x 22.2 [1.77 x 0.87], with screw mounting and gasket for counters 48 x 24 [1.89 x 0.94] black	N003001
Transparent cover, lockable, IP65	For cut-out 54 x 29 [2.13 x 1.14], for screw mounting to front bezel F1B or adapter front bezel N003001, for counters with cut-out 50 x 25 [1.97 x 0.98] or 45 x 22.2 [1.77 x 0.87]	N003002
Sealing cover type K1, IP65	Suitable for front bezel 60 x 50 [2.36 x 1.97], for screw mounting of electromech. counters and via adapter front bezel N003001 for counters 48 x 24 [1.89 x 0.94]	G008301
Mounting frame with cut-out 50 x 25 [2.36 x 1.97] via separate adapter also for 45 x 22.2 [1.77 x 0.87]	For snap-on mounting on 35 [1.38] top-hat DIN rail, for counters 53 x 28 [2.09 x 1.10] and via separate adapter (T008180) for counters 48 x 24 [1.89 x 0.94] chromated	G300004

Suitable gaskets as well as further accessories can be found in the accessories section or in the accessories area of our website at: www.kuebler.com/accessories.

Technical data

General technical data	
Display	LCD, 8-digits, 8 mm [0.31"] high
Backlighting	external electrical source 24 V DC $\pm 20\%$, 50 mA
Counting direction	adding
Display range	see next page
Reset	manual and electrical
Working temperature	-10°C ... +55°C [+14°F ... +131°F] (non-condensing)
Operating temperature	-10°C ... +60°C [+14°F ... +140°F] (non-condensing)
Storage temperature	-20°C ... +70°C [-4°F ... +158°F]
Altitude	up to 2000 m

Electrical characteristics	
Power supply	internal lithium battery approx. 8 years at 20°C [68°F]
EMC	Emitted interference EN 55011 class B Immunity to interference EN 61000-6-2
Device safety	Designed to EN 61010 part 1 Protection class 2 Application area Pollution level 2
UL approval	File-No.: E128604

Mechanical characteristics	
Housing	dark grey RAL 7021
Protection	IP65 (front side)
Weight	approx. 50 g [1.76 oz]

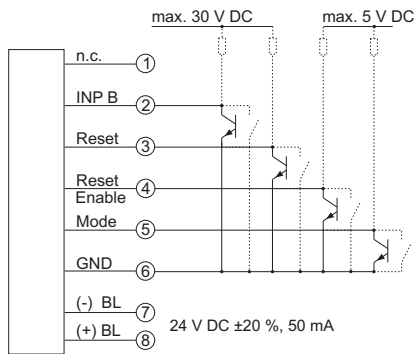
Count input	
A. Timer inputs DC versions (max. 30 V DC) INP B	
Timer input	NPN or PNP depending on the type (see table)
Switching level	NPN LOW: 0 ... 0.7 V DC HIGH: 3 ... 30 V DC PNP LOW: 0 ... 0.7 V DC HIGH: 4 ... 30 V DC
Counting start	NPN for LOW signal at the timer input PNP for HIGH signal at the timer input
B. Timer inputs high voltage versions (10 ... 260 V DC/V AC) INP A	
Timer input	optocoupler input
Min. pulse time	16 ms
Switching level	LOW: 0 ... 2 V DC/V AC HIGH: 10 ... 260 V DC/V AC
Counting start	for HIGH signal at the timer input
C. Time range change (Mode)	
Contact input	open collector (switching at 0 V) NPN LOW 0 ... 0.7 V DC HIGH 3 ... 5 V DC depending on the circuit (s. order inform.)
Time range	
D. Reset input for DC and high voltage	
Min. pulse time	DC 50 ms High voltage 16 ms
Contact input DC	NPN LOW 0 ... 0.7 V DC HIGH 3 ... 30 V DC
High voltage input	10 ... 260 V AC/DC
E. Reset locking input (for DC and AC)	
Electrical reset key locking	
Input not active	reset key locked
Contact input	open collector NPN (switching at 0 V)
Switching level	NPN LOW 0 ... 0.7 V DC HIGH 3 ... 5 V DC

Hour meters / timers, electronic

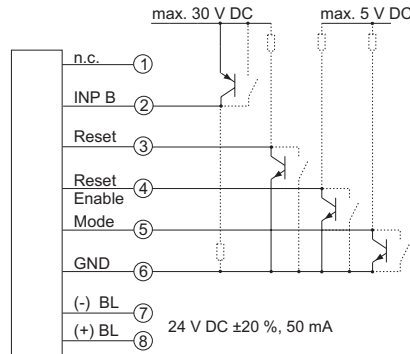
LCD hour meters **Max. time range 9999 h 59 min 59 sec or 999999.9 sec (battery)** **Codix 135**

Terminal assignment

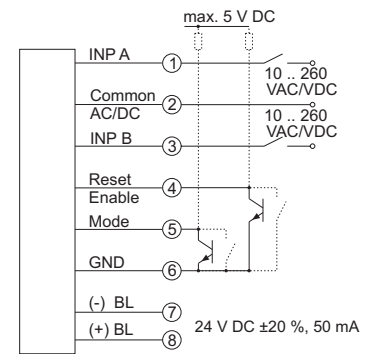
DC type: 6.135.012.8x0



DC type: 6.135.012.8x1

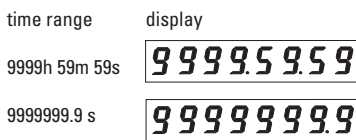


AC type: 6.135.012.8x3



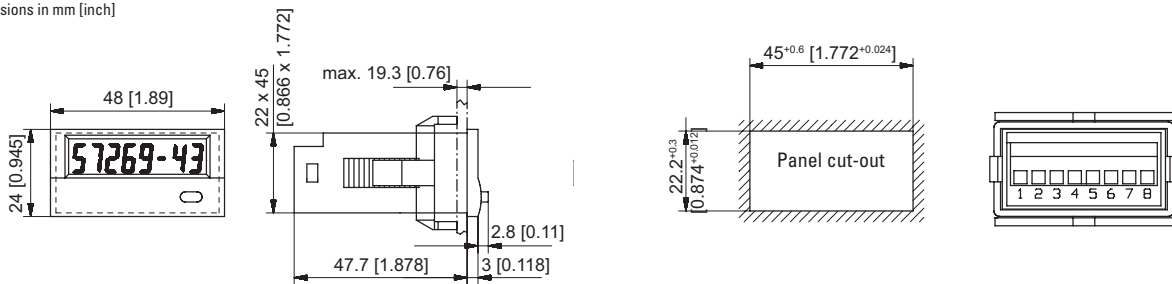
BL = backlighting

Display and time ranges

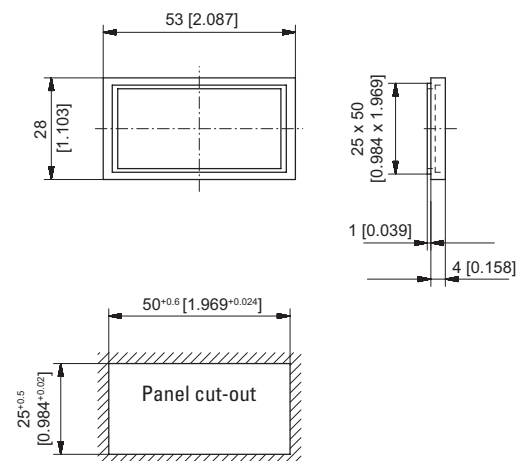


Dimensions

Dimensions in mm [inch]



Front bezel for clip mounting (included in delivery)



Front bezel for screw mounting (included in delivery)

