

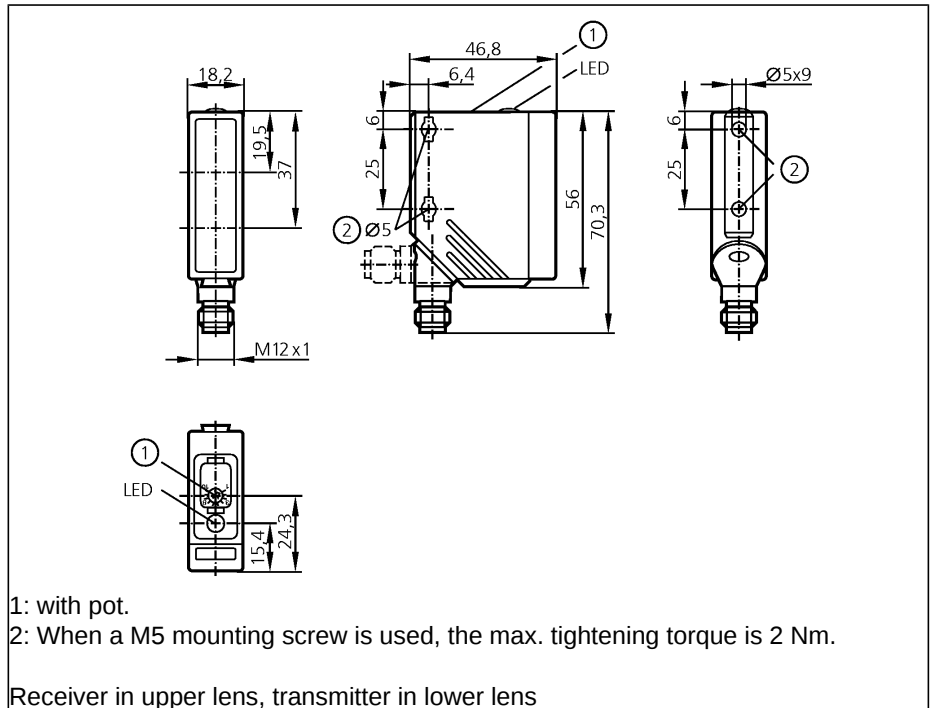
Photoelectric sensors

O5H200

O5H-HPKG/US
Diffuse reflection sensor
Rectangular plastic
Plug and socket

Background suppression
with pot.

Range 50...1400mm
(Range referred to white paper 200 x
200 mm, 90 % remission)
adjustable

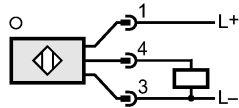


Electrical design	
Output	
Range	[mm]
Object white (90 % remission)	
Object grey (18 % remission)	
Object black (6 % remission)	
Light spot diameter	[mm]
Operating voltage	[V]
Current rating	[mA]
Short-circuit protection	
Reverse polarity protection	
Overload protection	
Voltage drop	[V]
Current consumption	[mA]
Switching frequency	[Hz]
Type of light	
Operating temperature	[°C]
Protection	
EMC	
Housing material	
Material lens	
Function display	
Switching status	LED
Connection	
Remarks	

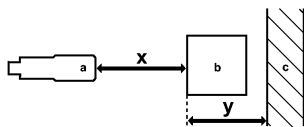
DC PNP light-on mode	
Range	50...1400
Object white (90 % remission)	50...800
Object grey (18 % remission)	50...550
Object black (6 % remission)	50 (Range 1000 mm)
Operating voltage	10...36 DC
Current rating	200
Short-circuit protection	pulsed
Reverse polarity protection	yes
Overload protection	yes
Voltage drop	< 2.5
Current consumption	25
Switching frequency	1000
Type of light	Red light 624 nm
Operating temperature	-25...60
Protection	IP 65, II
EMC	EN 60947-5-2
Housing material	housing: PA; bezel: high-grade stainless steel; operator interface: TPE
Material lens	PMMA
Function display	
Switching status	yellow
Connection	M12 connector
Remarks	cULus - Class 2 source required

O5H200

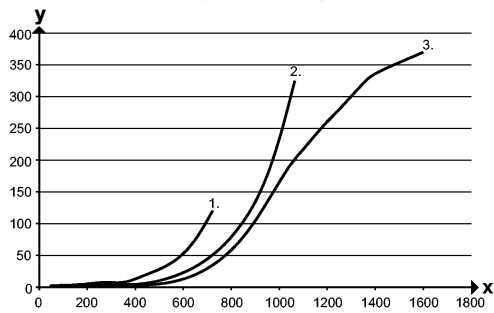
Wiring



Accuracy graph



a: sensor
 b: object
 c: background
 x: distance sensor / object
 y: min. distance object / background



Values in [mm]
 1 = object black (6 % remission), background white (90 % remission)
 2 = object grey (18 % remission), background white (90 % remission)
 3 = object white (90 % remission), background white (90 % remission)