

overview

- Fastest limit value detection due to extremely short response times
- Flexible parameterization and additional diagnostic data thanks to IO-Link
- Shortest blind zone in its class
- High performance in compact housing



Picture similar



Technical data

general data

scanning range Sd	15 ... 500 mm
scanning range far limit Sde	15 ... 500 mm
version	IO-Link
hysteresis typ.	4 % Sde
repeat accuracy	< 0,5 mm
temperature drift	< 2 % Sde
power-up drift	compensated after 15 min.
response time ton/toff min	< 16 ms
response time ton/toff standard	< 40 ms
sonic frequency	290 kHz
adjustment	qTeach, line-Teach, IO-Link
light indicator	LED yellow
power on indication	LED green
alignment measuring axis	< 2°

electrical data

voltage supply range +Vs	12 ... 30 VDC
current consumption typ.	35 mA
output circuit	push-pull
output current	< 100 mA
voltage drop Vd	< 3 VDC
residual ripple	< 10 % Vs
short circuit protection	yes
reverse polarity protection	yes

communication interface

interface	IO-Link V1.1
baud rate	38,4 kBaud (COM 2)
cycle time	≥ 8 ms
process data length	32 Bit

communication interface

process data structure	Bit 0 = SSC1 (distance) Bit 1 = SSC2 (distance) Bit 2 = quality Bit 3 = alarm Bit 5 = SSC4 (counter) Bit 8-15 = scale factor Bit 16-47 = 32 Bit measurement
------------------------	---

IO-Link port type	Class A
-------------------	---------

additional data	distance excess gain operating cycles operating hours boot cycles operating voltage device temperature histograms
-----------------	--

adjustable parameters	time filters LED status indicators output logic output circuit counter beam forming deactivate the sensor element Find Me function
-----------------------	---

IO-Link	yes
---------	-----

mechanical data

type	rectangular
housing material	plastic (ASA, PMMA)
width / diameter	12,9 mm
height / length	32,2 mm
depth	23 mm
connection types	connector M8 4 pin

Technical data

ambient conditions

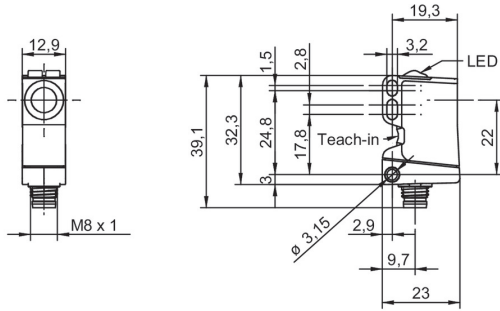
operating temperature -25 ... +65 °C

ambient conditions

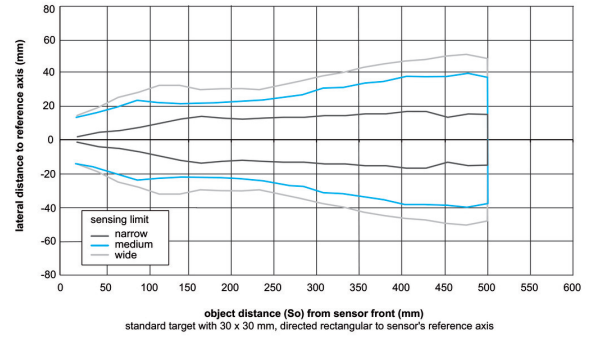
storage temperature -40 ... +75 °C

protection class IP 67

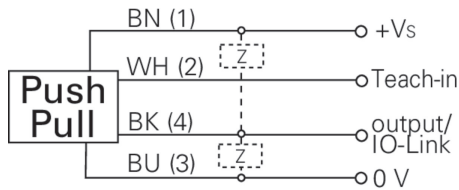
dimension drawing



typical sonic cone profile



connection diagram



pin assignment

