

# TURCK

## Level Sensors - Capacitive



Housing Style	Part Number	ID Number	Features	Embeddable Range (mm)	Nonembed. Range (mm)	Output
30 mm - Embeddable, Potted-In Cable 	BC10-S30-VN4X	M2506000	Comp. Outputs	10	15	4-Wire DC NPN
	BCF10-S30-VN4X	M2506011	Noise Immune and Comp. Outputs	10	15	
	BC10-S30-VP4X	M2506110	Comp. Outputs	10	15	4-Wire DC PNP
	BCF10-S30-VP4X	M2506111	Noise Immune and Comp. Outputs	10	15	
	BC10-S30-AZ3X	M2310700		10	15	2-Wire AC
	BCF10-S30-AZ3X	M2506015	Noise Immune	10	15	
BC10-S30-Y1X	M2010000		10	15	2-Wire DC NAMUR	
30 mm - Embeddable, Potted-In Cable 	BC10-PT30-VN4X2	M2507020	Chemical Resistant and Comp. Outputs	10	15	4-Wire DC NPN
	BC10-PT30-VP4X2	M2507010	Chemical Resistant and Comp. Outputs	10	15	4-Wire DC PNP
	BC10-PT30-AZ3X	M2350001	Chemical Resistant	10	15	2-Wire AC
	BC10-PT30-Y0X	M2020000	Chemical Resistant	10	15	2-Wire DC NAMUR
30 mm - Embeddable, Terminal Chamber 	BC10-P30SR-VN4X2 W/M16X1.5	M2505100	Comp. Outputs	10	15	4-Wire DC NPN
	BC10-P30SR-VP4X2 W/M16X1.5	M2505000	Comp. Outputs	10	15	4-Wire DC PNP
	BC10-P30SR-VP4X2/S359 2M	M2505001	Comp. Outputs	10	15	
	BC10-P30SR-FZ3X2 W/M16X1.5	M2310400	Prog. Outputs	10	15	2-Wire AC

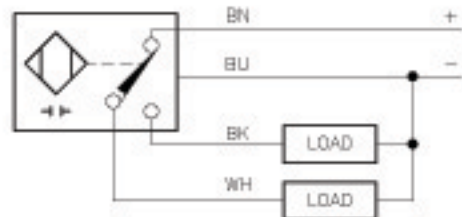
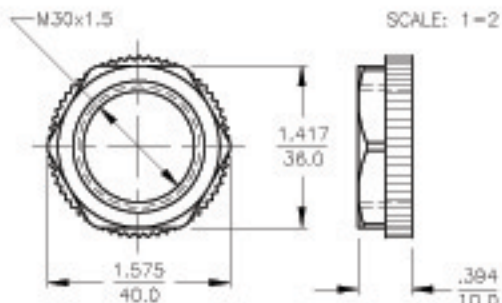
"S359" designates Capacitive sensor with external potentiometer located on 2 meter cable.

Voltage	Switching Freq. (Hz)	Operating Current (mA)	Operating Temp. (°C)	Protection Class	Housing	End Cap	Power LED	Output LED	Cable Length/ Material	Wiring Diagram #	Wiring Diagrams
10-65 VDC	100	≤200	-25 to +70	IP 67	PA 12	PA 66	N/A	YE	2M/PVC	1	<b>Diagram 1</b> 
	100	≤200	-25 to +70	IP 67	PA 12	PA 66	N/A	YE	2M/PVC	1	
10-65 VDC	100	≤200	-25 to +70	IP 67	PA 12	PA 66	N/A	YE	2M/PVC	2	<b>Diagram 2</b> 
	100	≤200	-25 to +70	IP 67	PA 12	PA 66	N/A	YE	2M/PVC	2	
20-250 VAC	20	≤500	-25 to +70	IP 67	PA 12	PA 66	N/A	YE	2M/PVC	3	<b>Diagram 3</b> 
	20	≤500	-25 to +70	IP 67	PA 12	PA 66	N/A	YE	2M/PVC	3	
5-30 VDC	100	Remote	-25 to +70	IP 67	PA 12	PA 66	N/A	YE	2M/PVC	4	<b>Diagram 4</b> 
10-65 VDC	100	≤200	-25 to +70	IP 67	PVDF	PVDF	GN	YE	2M/PVDF	1	
10-65 VDC	100	≤200	-25 to +70	IP 67	PVDF	PVDF	GN	YE	2M/PVDF	2	<b>Diagram 5</b> 
20-250 VAC	20	≤500	-25 to +70	IP 67	PVDF	PVDF	N/A	YE	2M/PVDF	3	
5-30 VDC	100	Remote	-25 to +70	IP 67	PVDF	PVDF	N/A	YE	2M/PVDF	4	<b>Diagram 6</b> 
10-65 VDC	100	≤200	-25 to +70	IP 67	ABS	ABS	GN	YE	----	5	
10-65 VDC	100	≤200	-25 to +70	IP 67	ABS	ABS	GN	YE	----	6	<b>Diagram 7</b> 
	100	≤200	-25 to +70	IP 67	ABS	ABS	GN	YE	----	6	
20-250 VAC	20	≤500	-25 to +70	IP 67	ABS	ABS	GN	YE	----	3	<b>Diagram 8</b> 

LOCKNUT LN-P30

WIRING DIAGRAM

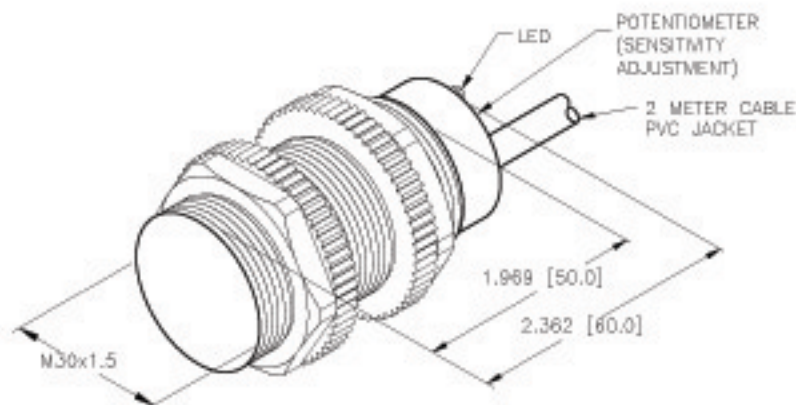
SPECIFICATIONS



OUTPUT: VP4X

SHORT-CIRCUIT AND OVERLOAD PROTECTED

RATED OPERATING DISTANCE	10mm = .394" (FLUSH MOUNTING)
RATED OPERATING DISTANCE	15mm = .591" (NON-FLUSH MOUNTING)
REPEAT ACCURACY	≤ 2%
TEMPERATURE DRIFT	≤ ± 20%
HYSTERESIS	2-20%
AMBIENT TEMPERATURE	-25°C to +70°C (-13°F to +158°F)
OPERATING VOLTAGE	10-65 VDC
RESIDUAL RIPPLE	≤ 10%
DC RATED OPERATIONAL CURRENT	≤ 200 mA
NO-LOAD CURRENT	≤ 15 mA
RESIDUAL CURRENT	≤ 0.1 mA
SWITCHING FREQUENCY	≤ 0.1 kHz
RATED INSULATION VOLTAGE	≤ 0.5 kV
OUTPUT FUNCTION	4-WIRE, CHANGE-OVER, PNP
SHORT-CIRCUIT PROTECTION	YES
MAX. VOLTAGE DROP	≤ 1.8 V
WIRE BREAK PROTECTION	INCORPORATED
REVERSE POLARITY PROTECTION	INCORPORATED
HOUSING MATERIAL	PLASTIC, PA12-GF20
ACTIVE FACE MATERIAL	PLASTIC, PA12-GF30
CABLE	#5.2, LITY, PVC,
VIBRATION RESISTANCE	55 Hz (IN ALL 3 PLANES)
SHOCK RESISTANCE	30 g, 11 ms
PROTECTION DEGREE	IP67
SWITCHING STATUS INDICATION	LED; YELLOW
OPERATING VOLTAGE DISPLAY	LED; GREEN



NOTES: 1. MATERIALS:  
 BARREL - PA12-GF30 PLASTIC  
 LOCKNUTS - PA12-GF30 PLASTIC  
 END CAP - PA66-GF25-VO PLASTIC

RELATED DOCUMENTS 1. 2. 3. 4.	3RD ANGLE PROJECTION 	THIS DRAWING IS PROPERTY OF TURCK INC. USE OF THIS DOCUMENT WITHOUT WRITTEN PERMISSION IS PROHIBITED.		<b>TURCK INC</b> High Technology Sensors and Automation Controls	
	MATERIAL SEE NOTES	TOLERANCES UNLESS OTHERWISE SPECIFIED .X ±0.02 .XX ±0.01 .XXX ±0.005 ANGLES ±1° ALL MILLIMETER DIMENSIONS ARE REFERENCE ONLY	DRFT JBJ DATE 03/19/02		
FINISH SEE NOTES	UNIT OF MEASUREMENT <b>INCH [ MILLIMETER ]</b>	DESCRIPTION SCALE 1=1.3	IDENTIFICATION NO. M2506111	REV A	
A DRAWING RELEASE	RDS 05/22/02	DO NOT SCALE THIS DRAWING		FILE: M2506111	SHEET 1 OF 1
REV DESCRIPTION	BY DATE EDD NO.				