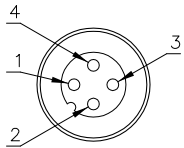
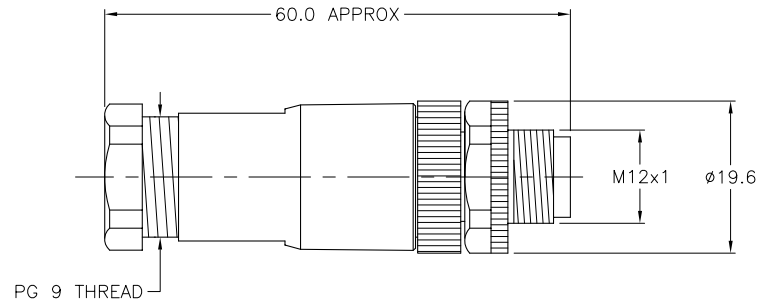


MALE END VIEW



SPECIFICATIONS

HOUSING MATERIAL/PLATING	NYLON/BLACK
CONTACT MATERIAL/PLATING	BRASS/OPTALLOY
COUPLING NUT MATERIAL/PLATING	BRASS/NICKEL
RATED CURRENT [A]	4.0 A
RATED VOLTAGE [V]	250 V
MAXIMUM WIRE SIZE	18 AWG
CABLE GRIP RANGE	6-8mm
TEMPERATURE RATING	-25°C to +85°C (-13°F to +185°F)
PROTECTION CLASS	IEC IP67
TERMINATION TYPE	SCREW TERMINAL



SOURCE DRAWING - FOR REFERENCE ONLY

RELATED DOCUMENTS 1. 2. 3. 4.	3RD ANGLE PROJECTION 	THIS DRAWING IS PROPERTY OF TURCK INC. USE OF THIS DOCUMENT WITHOUT WRITTEN PERMISSION IS PROHIBITED.		3000 CAMPUS DRIVE MINNEAPOLIS, MN 55441 1-800-544-7769 (763) 553-7300 (763) 553-0708 fax turck.com	
	MATERIAL SEE SPECIFICATIONS	ALL DIMENSIONS DISPLAYED ON THIS DRAWING ARE FOR REFERENCE ONLY	DRFT RDS DATE 11/22/04	DESCRIPTION BS 8141-0/PG 9	
FINISH SEE SPECIFICATIONS	DSGN SCALE 1=1.0		UNIT OF MEASUREMENT MILLIMETERS		IDENTIFICATION NO. U6551
D UPDATE CONTACT MATERIAL, SEE ECO RWC 12/02/09 29126	BY DATE ECO NO.	DO NOT SCALE THIS DRAWING		FILE: U6551	SHEET 1 OF 1

REV	DESCRIPTION	BY	DATE	ECO NO.
D	UPDATE CONTACT MATERIAL, SEE ECO	RWC	12/02/09	29126