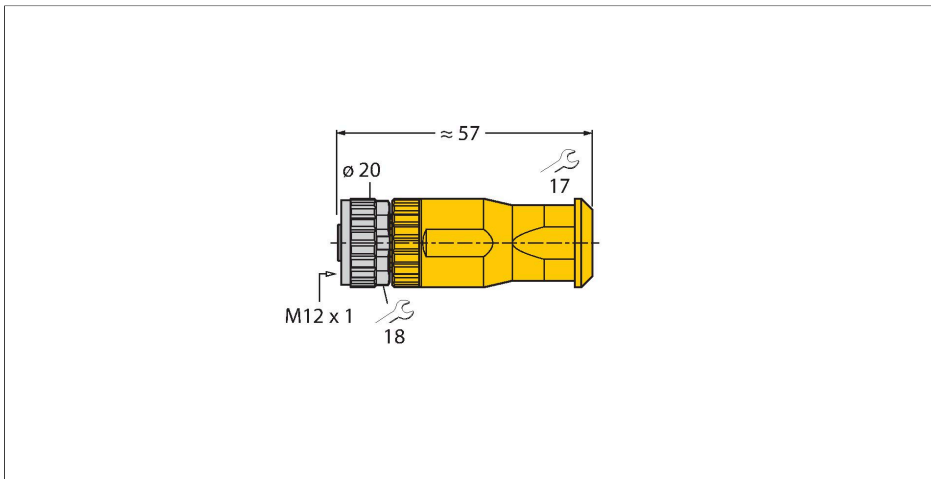


BM8151-0/PG9/YE

Accessories for Sensors and Actuators – Field-Wireable Connector

Female Connector, M12 × 1, Straight



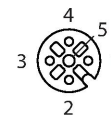
Features

- A-coding
- Yellow housing
- Metal coupling nut
- Cable feedthrough 4.0...8.0 mm
- Terminal capacity 0.25...1.50 mm²
- Protection class IP67
- RoHS-compliant
- Screw-clamp terminal
- A-coding
- 5-pin

Technical data

Type	BM8151-0/PG9/YE
ID no.	6936233
Connector A	Female, M12 × 1, Straight
Number of Pins	5
Contacts	CuZn, Gold-plated
Contact carriers	Plastic, PA6, UL 94, Black
Connector body	Plastic, PA6 GF, UL 94, Yellow
Coupling nut/screw	Die-cast Zinc, GD-Zn, Nickel-plated
Seal	Plastic, FPM/FKM
Screw-in thread seal	plastic, FPM/FKM
External diameter of the cable	min. 4...8 mm
Core cross-section/Clamping ability	0.25...1.5 mm ²
Connection mode	Screw/clamp connection
Mechanical lifespan	> 100 Mating cycles
Type of protection	IP67, (screwed together)
Shielding	no
Electrical properties at +20 °C	
Rated voltage	60 V
Current	7.5 A
Insulation resistance	≥ 10 ⁸ Ω
Mechanical and chemical properties	
Ambient temperature range (stationary)	-30 °C...+85 °C

Contact assignment



Pin Assignment