

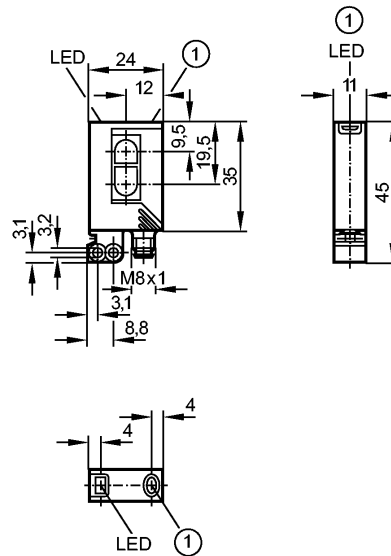
Photoelectric sensors

OJ5044

OJH-FPKG/FO/AS
Diffuse reflection sensor
Rectangular, plastics
Connector

Electronic lock
Background suppression
External teach function
Front sensing

Range 15...400mm
(Range referred to white paper 200 x
200 mm, 90 % remission)
adjustable



1: pushbutton
Receiver in upper lens
transmitter in lower lens



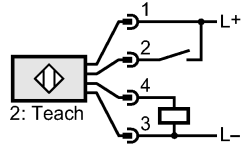
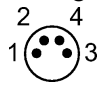
Made in Germany

Electrical design	
Output	
Light spot diameter	[mm]
Operating voltage	[V]
Current rating	[mA]
Short-circuit protection	
Reverse polarity protection	
Overload protection	
Voltage drop	[V]
Current consumption	[mA]
Switching frequency	[Hz]
Type of light	
Ambient temperature	[°C]
Protection	
EMC	
MTTF	[Years]
Housing materials	
Lens material	
Function display	
Switching status	LED
Operation	LED
Connection	
Weight	[kg]
Remarks	
Accessories (included)	

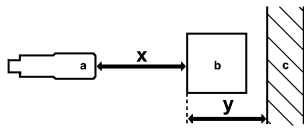
DC PNP	
light-on / dark-on programmable	
Light spot diameter	< 18 (Range 150 mm)
Operating voltage	10...30 DC
Current rating	200
Short-circuit protection	pulsed
Reverse polarity protection	yes
Overload protection	yes
Voltage drop	< 2.5
Current consumption	25
Switching frequency	1000
Type of light	red light 660 nm
Ambient temperature	-25...60
Protection	IP 67, III
EMC	EN 60947-5-2
MTTF	556
Housing materials	housing: ABS; fixture: diecast zinc; LED window: SEPS; pushbutton: SEPS
Lens material	PMMA
Function display	
Switching status	yellow
Operation	green
Connection	M8 connector
Weight	0.042
Remarks	cULus - Class 2 source required
Accessories (included)	Basic clip, E20964, 2 mounting screws, M3 x 16, 2 spring washers, 2 nuts

OJ5044

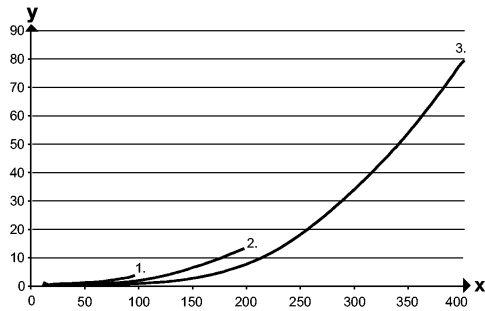
Wiring



Accuracy graph



- a: sensor
- b: object
- c: background
- x: distance sensor / object
- y: min. distance object / background



Values in [mm]

- 1 = object black (6 % remission), background white (90 % remission)
- 2 = object grey (18 % remission), background white (90 % remission)
- 3 = object white (90 % remission), background white (90 % remission)