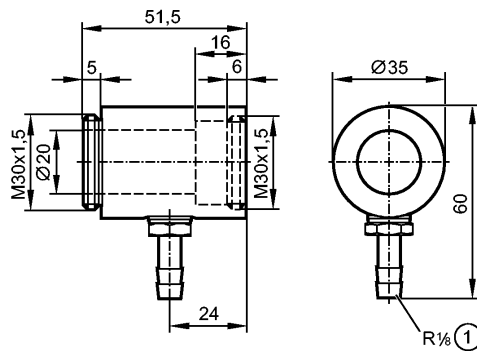


E35063

AIR PURGE

Accessories



1: Tube nozzle for tube with 8-9 mm bore

Product characteristics

Air purge

for infrared temperature sensors TWxxxx, M30 design

Application

Application: Protection against soiling of the lens

Mechanical data

Design: for types TW

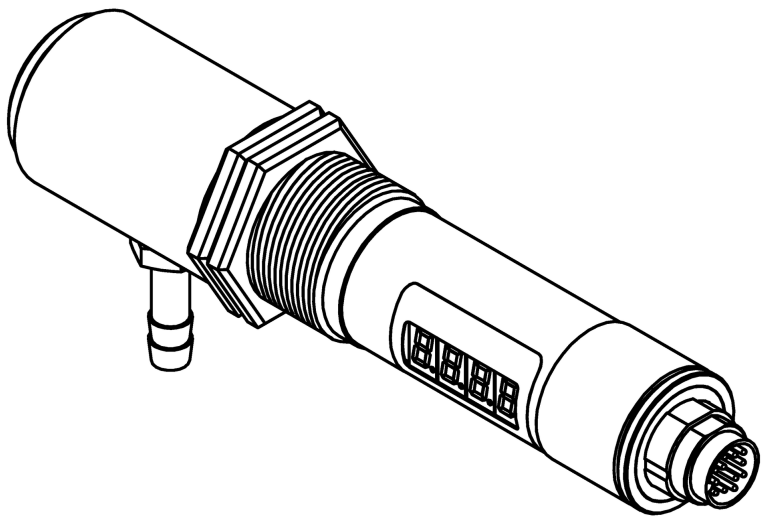
Housing materials: stainless steel (303S22); brass; sealing ring: aluminum

Weight [kg]: 0.206

Connection: Compressed air connection R1/8"

Air pressure: ≤ 6 bar

Installation:



Remarks

Pack quantity [piece]: 1