



### AC coil operating

#### AC operating voltage

of 50/60Hz coil powered at 50Hz  
pick-up

min	%Us	≤80 Us min
max	%Us	≤110 Us max

drop-out

max	%Us	≤75 Us min
-----	-----	------------

of 50/60Hz coil powered at 60Hz  
pick-up

min	%Us	≤85 Us min
max	%Us	≤110 Us max

drop-out

max	%Us	≤75 Us min
-----	-----	------------

of 60Hz coil powered at 60Hz  
pick-up

min	%Us	≤85 Us min
max	%Us	110

drop-out

min	%Us	20
max	%Us	55

### DC coil operating

#### DC operating voltage

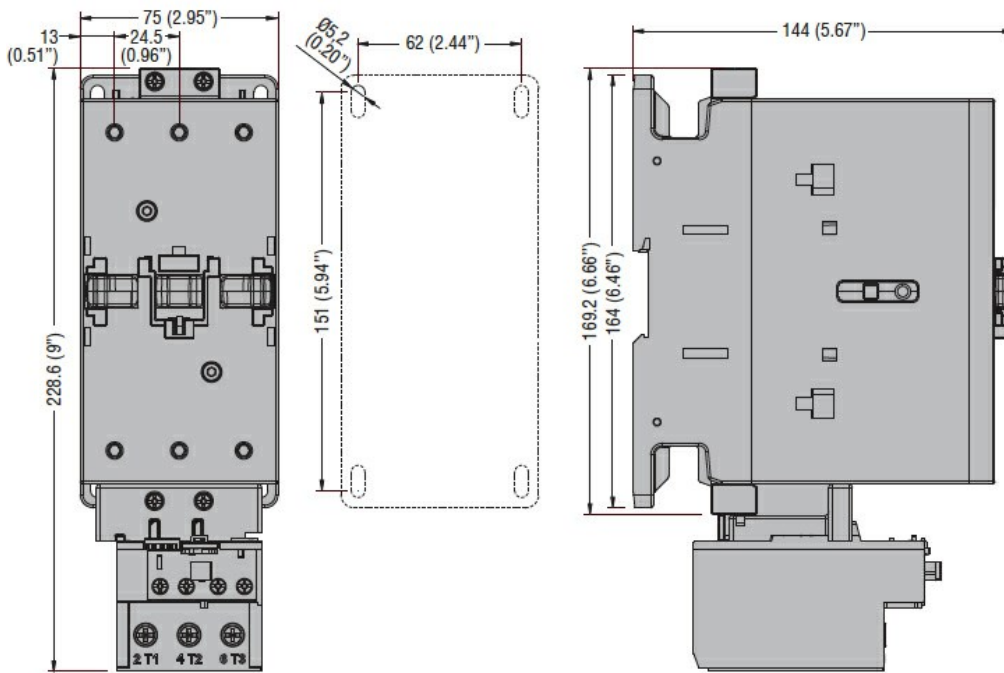
pick-up

min	%Us	≤80 Us min
max	%Us	≤110 Us max

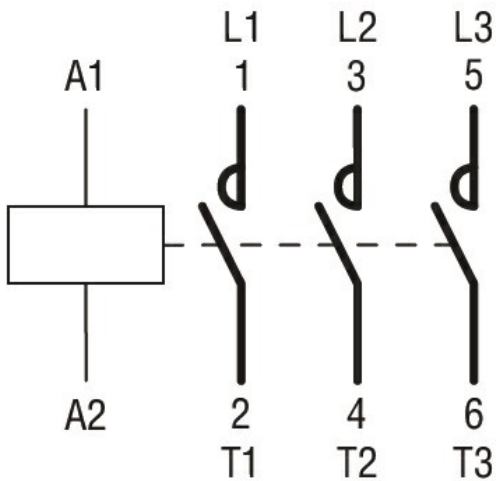
drop-out

max	%Us	≤70 Us min
-----	-----	------------

### Dimensions



### Wiring diagrams



### Certifications and compliance

#### Compliance

CSA C22.2 n° 60947-1

CSA C22.2 n° 60947-4-1

IEC/EN 60947-1

IEC/EN 60947-4-1

UL 60947-1

UL 60947-4-1

#### Certifications

CCC

cULus

### ETIM 6 classification

EC000066 - Power contactor, AC switching