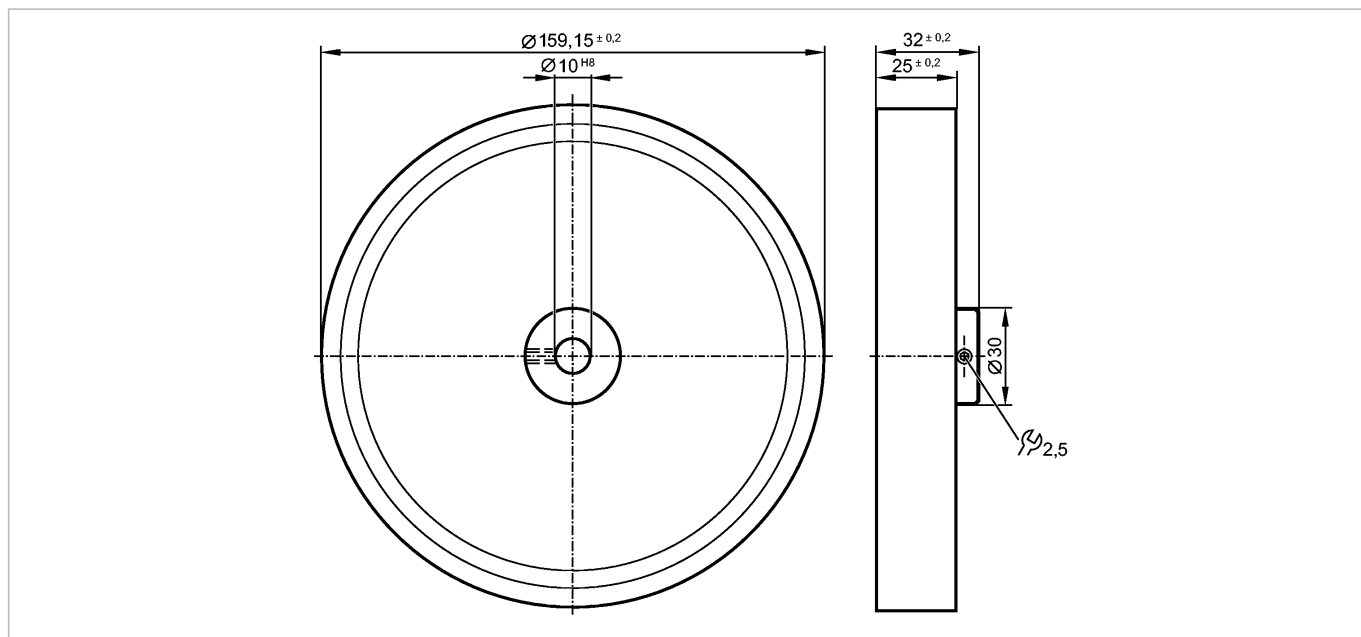


E60110

MEASURING WHEEL U:500 N:10

Accessories



Made in Germany

Product characteristics

Measuring wheel

Ø 159.15 mm / Ø 10 mm

Environment

Ambient temperature [°C] -30...80

Mechanical data

Circumference [mm]	500
D Shaft diameter [mm]	10
B Width [mm]	25 ± 0.2
A Total width [mm]	32 ± 0.2
Design	smooth plastic
Housing materials	wheel: Hytrel TPE-E
Surface hardness	90° ± 5° Shore A
Tightening torque [Nm]	3 (Screw)
Weight [kg]	0.539

Remarks

Pack quantity [piece]	1
-----------------------	---