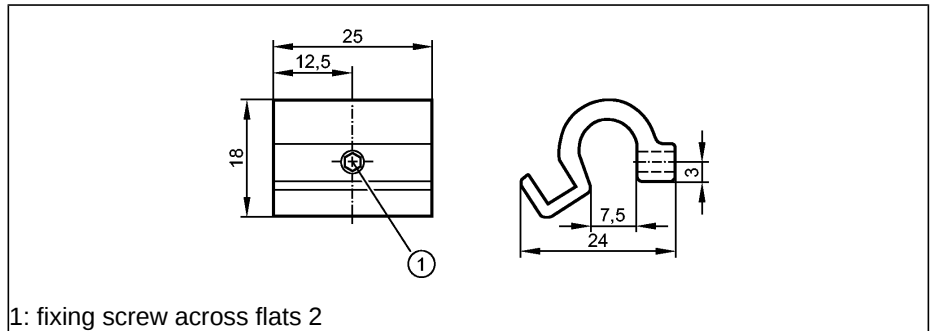


Accessories

**E11912**

Adapter for tie rod cylinders  
(or cylinders of the same dimensions)



1: fixing screw across flats 2

Made in Germany

Design	for types MKT (T-slot cylinder sensors)
Clamping range [mm]	5...7
Housing materials	aluminium; screw: stainless steel
Weight [kg]	0.011