



Product type designation				B400		
<b>Contact characteristics</b>						
Number of poles	nr.			3		
Rated insulation voltage U <sub>i</sub>	V			1000		
Rated impulse withstand voltage U <sub>imp</sub>	kV			8		
Operating frequency	Operational frequency min	Hz	25			
	Operational frequency max	Hz	400			
Conventional free air thermal current I <sub>th</sub>	A			550		
Operating current	Operational current AC3 (≤440V ≤55°C)	A	420			
	Operational current AC4 (400V)	A	133			
	Short-time allowable current for 10s (IEC/EN60947-1)	A	3600			
Protection fuse	gG (IEC)	A	630			
	aM (IEC)	A	400			
Making capacity (RMS value)	A			4200		
Breaking capacity at voltage	Breaking capacity 440V	A	4000			
	Breaking capacity 500V	A	3400			
	Breaking capacity 690V	A	3360			
Resistance per pole (average value)	mΩ			0.2		
Power dissipation per pole (average value)	Power dissipation pole (average value) I <sub>th</sub>	W	52			
	AC3	W	32			
Tightening torque for terminals	min	Nm	35			
	max	Nm	35			
	min	lbft	25.8			
	max	lbft	25.8			
Tightening torque for coil terminal	min	Nm	1			
	max	Nm	1			
	min	lbft	0.74			
	max	lbft	0.74			
<b>Ambient conditions</b>						
Temperature	Operating temperature		min	°C	-50	
			max	°C	70	
		Storage temperature		min	°C	-60
				max	°C	80
Max altitude			m	3,000		
Operating position						

	normal allowable	Vertical plan ±30°
Mounting		Screw / DIN rail 35mm
Weight	g	9.575
<b>Operations</b>		
Mechanical life	Cycles	10,000,000
Electrical life	Cycles	700000
<b>Safety related data</b>		
Mirror contacts according to IEC/EN 609474-4-1		Yes
EMC compatibility		Yes
<b>AC coil operating</b>		
Rated AC voltage at 50/60Hz, 60Hz	min V	24
	max V	480

**AC operating voltage**

of 50/60Hz coil powered at 50Hz pick-up

min	%Us	80
max	%Us	110

**DC coil operating**

DC operating voltage

Average coil consumption ≤20°C

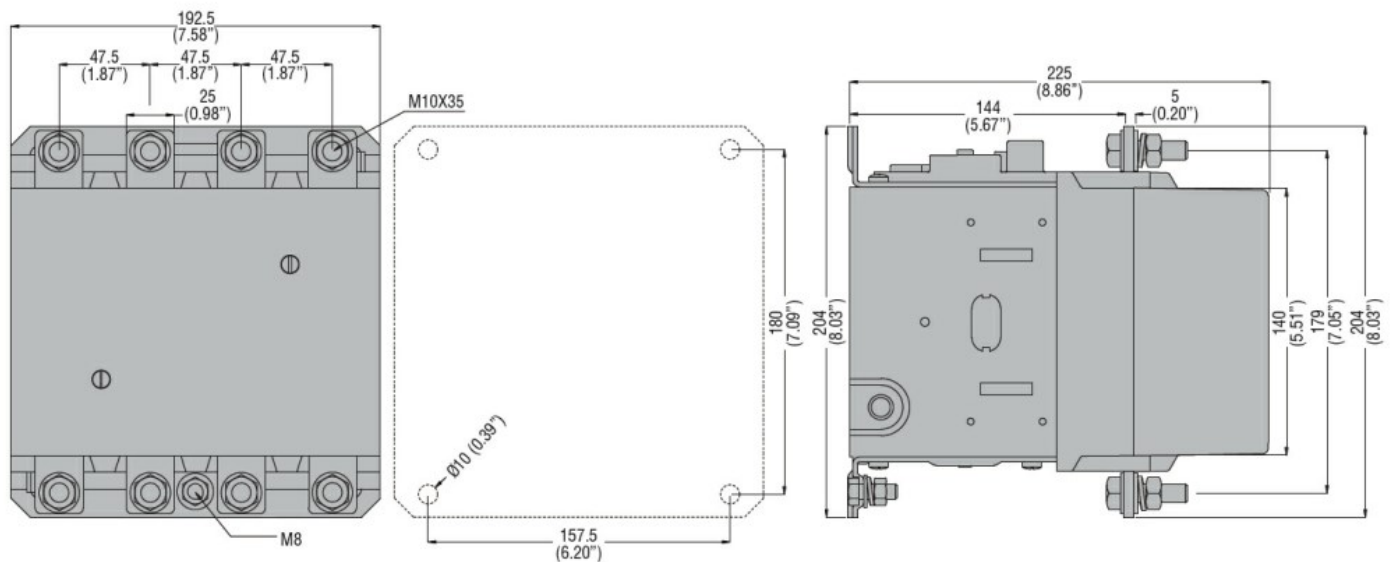
in-rush	W	300
holding	W	10

**Max cycles frequency**

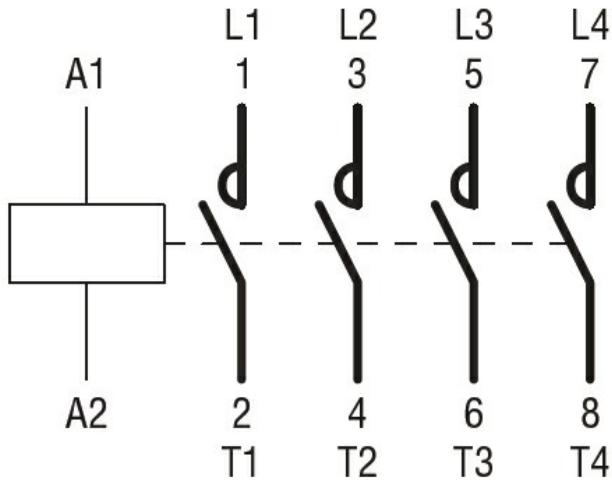
Mechanical operations

Cycles/h 3,600

**Dimensions**



**Wiring diagrams**



### Certifications and compliance

#### Certifications

CSA C22.2 n° 60947-1

CSA C22.2 n° 60947-4-1

IEC/EN 60947-1

IEC/EN 60947-4-1

UL 60947-1

UL 60947-4-1

#### Compliance

CCC

cULus

EAC

### ETIM 6 classification

EC000066 - Power contactor, AC switching