



**Model Number**

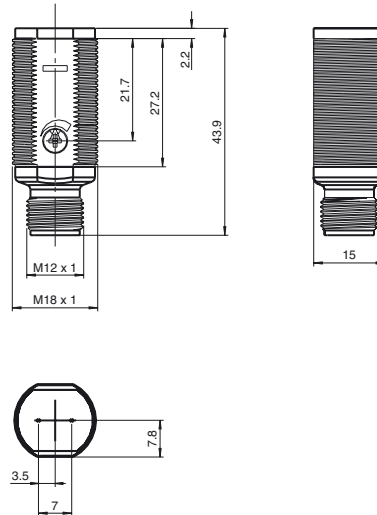
**GLV18-8-450/25/102/159**

Energetic diffuse mode sensor  
Plastic connector M12 x 1, 3-pin

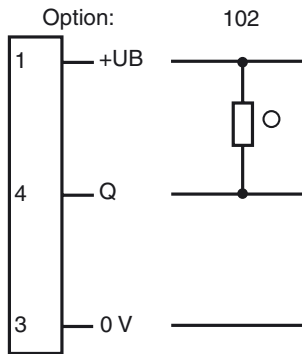
**Features**

- Short design in M18 plastic housing
- 4 LEDs indicator for 360° all-round visibility
- Optimal price/power ratio

**Dimensions**

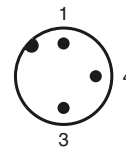


**Electrical connection**



○ = Light on  
● = Dark on

**Pinning according**



Release date: 2008-01-30 09:28 Date of issue: 2008-01-30 188563\_ENG.xml

Additional accessories can be found in the Internet.

Subject to reasonable modifications due to technical advances.

Copyright Pepperl+Fuchs, Printed in Germany

Pepperl+Fuchs Group • Tel.: Germany +49 621 776-0 • USA +1 330 4253555 • Singapore +65 67799091 • Internet <http://www.pepperl-fuchs.com>

## Technical data

### General specifications

Detection range	50 ... 450 mm adjustable
Detection range max.	0 ... 450 mm
Light source	LED, red 640 nm
Approvals	CE, cULus Listed 57M3 (Only in association with UL Class 2 power supply)
Reference target	100 mm x 100 mm Kodak white
Light type	red, modulated light
Diameter of the light spot	approx. 30 mm at 400 mm
Angle of divergence	approx. 4 °
Optical face	frontal
Ambient light limit	30000 Lux
Hysteresis	H < 15 %

### Indicators/operating means

Operating display	green LED, statically lit Power on
Function display	LED yellow: lights when object is detected ; flashes when falling short of the stability control
Operating elements	sensitivity adjuster

### Electrical specifications

Operating voltage	10 ... 30 V DC
Protection class	II, rated insulation voltage $\dot{U}$ 250 V AC with degree of pollution 1-2 according to IEC 60664-1
No-load supply current	$I_0$ < 20 mA

### Output

Switching type	light ON
Signal output	1 npn, short-circuit proof, open collector
Switching voltage	max. 30 V DC
Switching current	max. 100 mA
Voltage drop	$U_d \leq 1.5$ V DC
Switching frequency	$f$ 500 Hz
Response time	$\leq 1$ ms

### Standard conformity

Standards	EN 60947-5-2
-----------	--------------

### Ambient conditions

Ambient temperature	-25 ... 60 °C (248 ... 333 K)
Storage temperature	-40 ... 70 °C (233 ... 343 K)

### Mechanical specifications

Protection degree	IP67
Connection	Plastic connector M12 x 1 ; 3-pin
Material	
Housing	PC
Optical face	PMMA
Mass	< 10 g

