

JUMO GmbH & Co. KG

Delivery address: Mackenrodtstraße 14
36039 Fulda, Germany
Postal address: 36035 Fulda, Germany
Phone: +49 661 6003-0
Fax: +49 661 6003-607
E-mail: mail@jumo.net
Internet: www.jumo.net

JUMO Instrument Co. Ltd.

JUMO House
Temple Bank, Riverway
Harlow, Essex CM20 2DY, UK
Phone: +44 1279 635533
Fax: +44 1279 635262
E-mail: sales@jumo.co.uk
Internet: www.jumo.co.uk

JUMO Process Control, Inc.

6733 Myers Road
East Syracuse, NY 13057, USA
Phone: 315-437-5866
1-800-554-5866
Fax: 315-437-5860
E-mail: info.us@jumo.net
Internet: www.jumousa.com



MICROSTAT-M

Particularities

- Electromechanical temperature controller with indication
- with one microswitch
- Housing sizes: 60 mm, 80 mm and 100 mm dia.
Bezel sizes: 72 x 72 mm and 96 x 96 mm

Brief description

The MICROSTAT-M is an electromechanical temperature controller with indication for universal use. The instrument has a plastic housing and a liquid-filled or gas-filled measuring system. The temperature-dependent change in volume of a liquid-filled measuring system, or the temperature-dependent change in pressure of a gas-filled system, is converted by a Bourdon tube into a rotary movement of the pointer, without any transmission gearing. The rotary movement of the pointer spindle operates the microswitch through a lever system.



Type 608501/2160



Type 608501/2572

JUMO GmbH & Co. KG
 Delivery address: Mackenrodtstraße 14
 36039 Fulda, Germany
 Postal address: 36035 Fulda, Germany
 Phone: +49 661 6003-0
 Fax: +49 661 6003-607
 E-mail: mail@jumo.net
 Internet: www.jumo.net

JUMO Instrument Co. Ltd.
 JUMO House
 Temple Bank, Riverway
 Harlow, Essex CM20 2DY, UK
 Phone: +44 1279 635533
 Fax: +44 1279 635262
 E-mail: sales@jumo.co.uk
 Internet: www.jumo.co.uk

JUMO Process Control, Inc.
 6733 Myers Road
 East Syracuse, NY 13057, USA
 Phone: 315-437-5866
 1-800-554-5866
 Fax: 315-437-5860
 E-mail: info.us@jumo.net
 Internet: www.jumousa.com



Technical data

Housing or bezel	black plastic; steel housing (extra code 415)		
Protection	front: IP53 to EN 60 529 rear: IP00 to EN 60 529 (IP54 with extra code 426)		
Scale	white, black lettering		
Accuracy class	Class 2 to EN 13190		
Measuring system	liquid-filled		gas-filled
	indication range ≤ 350 °C		indication range ≥ 400 °C
Time constant $t_{0.632}$	approx. 12 sec, measured in water bath, with a 6 mm dia. copper probe		approx. 4 sec, measured in oil bath, with a 10 mm dia. stainless steel probe
Ambient temperature error effect on housing on capillary (per meter)	in % of indication range (referred to the deviation from the reference value +23 °C)		
	0.15% of indication range per °C change in ambient temperature		0.05% of indication range per °C change in ambient temperature
	0.03% of indication range per °C change in ambient temperature		no effect
	higher ambient temperature – higher temperature indication – lower switching point		
Electrical contact Contact type	standard	extra code (TZ) 651	extra code (TZ) 650
	single-pole microswitch with a mechanically operated changeover contact		
Contact rating	230 V AC +10/-15%, 48 – 63 Hz, p.f. = 1 (0.6)		
	5 (1.5) A	3 (1) A	10 (3) A
Switching differential	approx. 2% of indication range		2 to 4% of indication range
Switching point accuracy	$\pm 0.5\%$ of indication range referred to the switch-off point with rising temperature		
Switching reliability	To ensure maximum switching reliability, we recommend a minimum voltage of 24 V and a minimum current of 100 mA.		
Electrical connection	standard	extra code (TZ) 507	
	faston connectors A 6.3 x 0.8 to DIN 46 244	screw terminals: for up to 1.5 mm ² conductor cross-section	
Setpoint adjustment	by setting device on window		
Limit temperatures	for transport and storage: -20 to +70 °C (for indication range -40 to +40 °C: up to 50 °C; for indication range -30 to +50 °C: up to 60 °C)		
Nominal position	unrestricted		

Note:

Physical and toxic features of the expansion means, which could emerge in the event of a measuring system break.

Control range with scale limit value	Hazardous re- actions	Fire and explosion hazard		hazardous to waters	Information about toxicology		
		Ignition tem- perature	Explosion limit		irritant	dangerous to health	toxic
< +200 °C	no	+ 355 °C	0,6 - 8 V%	yes	yes	¹⁾	no
≥ 200 °C \leq +350 °C		+ 490 °C	--	yes	yes	¹⁾	
> 350 °C \leq +500 °C		no	no	no	no	no	

¹⁾ There is currently no statement by the health authority concerning hazards to health in the event of short-term exposure and low concentration, e.g. measuring system break.

JUMO GmbH & Co. KG
 Delivery address: Mackenrodtstraße 14
 36039 Fulda, Germany
 Postal address: 36035 Fulda, Germany
 Phone: +49 661 6003-0
 Fax: +49 661 6003-607
 E-mail: mail@jumo.net
 Internet: www.jumo.net

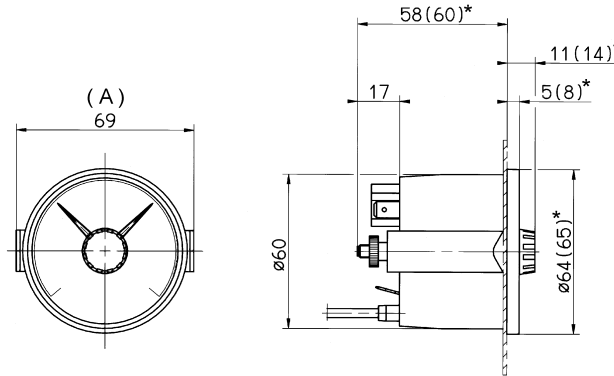
JUMO Instrument Co. Ltd.
 JUMO House
 Temple Bank, Riverway
 Harlow, Essex CM20 2DY, UK
 Phone: +44 1279 635533
 Fax: +44 1279 635262
 E-mail: sales@jumo.co.uk
 Internet: www.jumo.co.uk

JUMO Process Control, Inc.
 6733 Myers Road
 East Syracuse, NY 13057, USA
 Phone: 315-437-5866
 1-800-554-5866
 Fax: 315-437-5860
 E-mail: info.us@jumo.net
 Internet: www.jumousa.com



Dimensions

Types: 608501/2160
 608501/2160 TZ 415

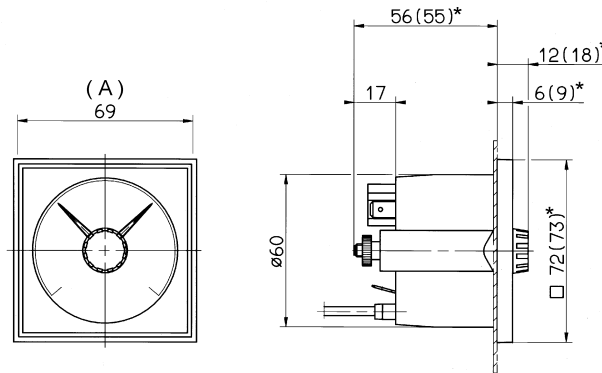


* for steel housing
 (extra code TZ 415)

(A) Width of mounting bracket

Panel cut-out $\varnothing 62$ $^{+0,5}_0$ mm

Types: 608501/2572
 608501/2572 TZ 415

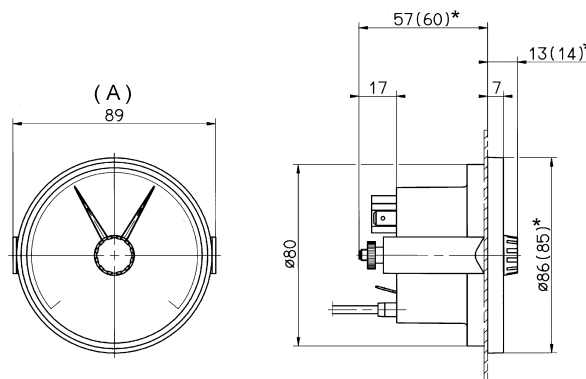


* for steel housing
 (extra code TZ 415)

(A) Width of mounting bracket

Panel cut-out $\varnothing 62$ $^{+0,5}_0$ mm

Types: 608501/2180
 608501/2180 TZ 415

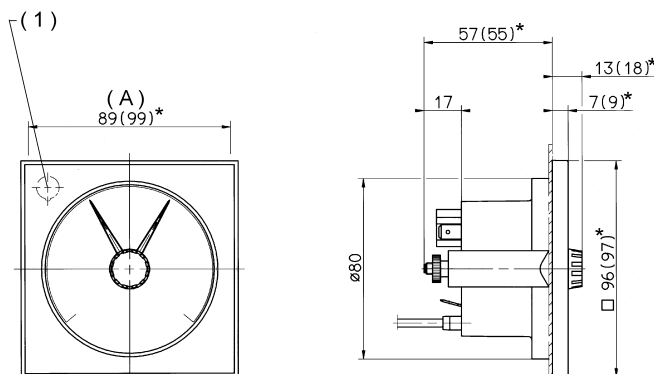


* for steel housing
 (extra code TZ 415)

(A) Width of mounting bracket

Panel cut-out $\varnothing 82$ $^{+0,5}_0$ mm

Types: 608501/2596
 608501/2596 TZ 415



* for steel housing
 (extra code TZ 415)

(1) TZ 572 (indicator light)
 only with $92 \times 92^{+0,8}_0$ mm
 panel cut-out

(A) Width of mounting bracket

Panel cut-out $\varnothing 82$ $^{+0,5}_0$ mm or 92×92 $^{+0,8}_0$ mm (TZ 460)

JUMO GmbH & Co. KG
 Delivery address: Mackenrodtstraße 14
 36039 Fulda, Germany
 Postal address: 36035 Fulda, Germany
 Phone: +49 661 6003-0
 Fax: +49 661 6003-607
 E-mail: mail@jumo.net
 Internet: www.jumo.net

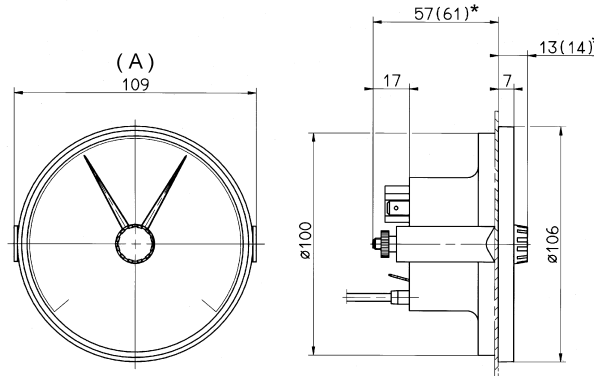
JUMO Instrument Co. Ltd.
 JUMO House
 Temple Bank, Riverway
 Harlow, Essex CM20 2DY, UK
 Phone: +44 1279 635533
 Fax: +44 1279 635262
 E-mail: sales@jumo.co.uk
 Internet: www.jumo.co.uk

JUMO Process Control, Inc.
 6733 Myers Road
 East Syracuse, NY 13057, USA
 Phone: 315-437-5866
 1-800-554-5866
 Fax: 315-437-5860
 E-mail: info.us@jumo.net
 Internet: www.jumousa.com



Dimensions

Types: 608501/2110
 608501/2110 TZ 415

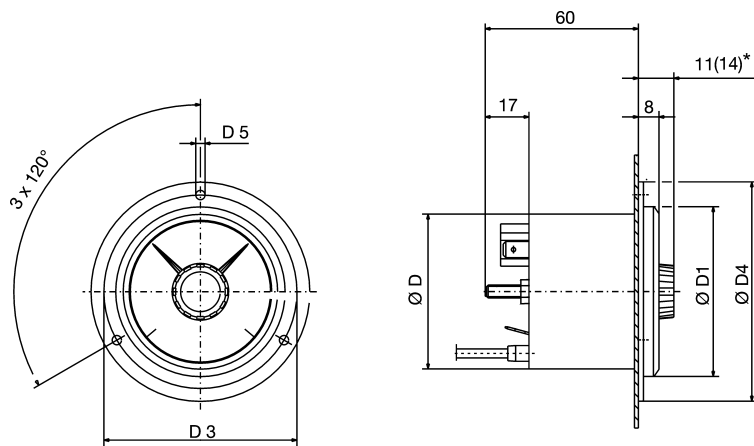


* for steel housing
 (extra code TZ 415)

(A) Width of mounting bracket

Panel cut-out $\varnothing 102^{+0,5}_0$ mm

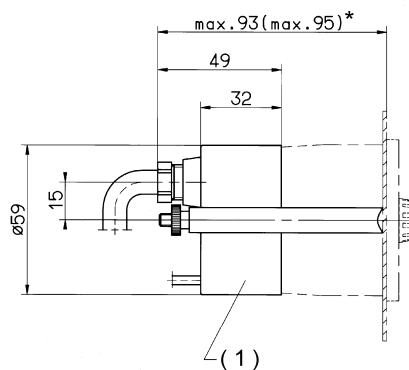
Types: 608501/2060
 608501/2060 TZ 415
 608501/2080 TZ 415
 608501/2010 TZ 415



* for steel housing
 (extra code TZ 415)

Type	$\varnothing D$	$\varnothing D1$	$\varnothing D3$	$\varnothing D4$	$\varnothing D5$	Panel cut-out $\varnothing^{+0,5}_0$ mm
608501/2060 608501/2060 TZ 415	60	66	75	85	3,6	62
608501/2080 TZ 415	80	86	95	110	4,8	82
608501/2010 TZ 415	100	107	116	132	4,8	102

Extra code 426



* for steel housing
 (extra code TZ 415)

(1) Extra code TZ 426

JUMO GmbH & Co. KG
 Delivery address: Mackenrodtstraße 14
 36039 Fulda, Germany
 Postal address: 36035 Fulda, Germany
 Phone: +49 661 6003-0
 Fax: +49 661 6003-607
 E-mail: mail@jumo.net
 Internet: www.jumo.net

JUMO Instrument Co. Ltd.
 JUMO House
 Temple Bank, Riverway
 Harlow, Essex CM20 2DY, UK
 Phone: +44 1279 635533
 Fax: +44 1279 635262
 E-mail: sales@jumo.co.uk
 Internet: www.jumo.co.uk

JUMO Process Control, Inc.
 6733 Myers Road
 East Syracuse, NY 13057, USA
 Phone: 315-437-5866
 1-800-554-5866
 Fax: 315-437-5860
 E-mail: info.us@jumo.net
 Internet: www.jumousa.com



Order details

MICROSTAT-M Type 608501

Order code (1) Basic type

608501 Mechanical temperature controller MICROSTAT-M Class 2, with one microswitch

(2) Basic type extensions

2060	Style: 20; housing size: 60 mm dia.		
2080	Style: 20; housing size: 80 mm dia.	(with TZ 415 only)	
2010	Style: 20; housing size: 100 mm dia.	(with TZ 415 only)	
2160	Style: 21; housing size: 60 mm dia.		
2180	Style: 21; housing size: 80 mm dia.		
2110	Style: 21; housing size: 100 mm dia.	(with TZ 415 only)	
2572	Style: 25; housing size: 72 x 72 mm		
2596	Style: 25; housing size: 96 x 96 mm		

(3) Indication range (AB)

469	-40 to + 40 °C; measuring range -30 to + 30 °C, accuracy 2.0 °C
566	-30 to + 50 °C; measuring range -20 to + 40 °C, accuracy 2.0 °C
643	-20 to +120 °C; measuring range 0 to +100 °C, accuracy 4.0 °C
807	0 to + 60 °C; measuring range +10 to + 50 °C, accuracy 2.0 °C
810	0 to + 80 °C; measuring range +10 to + 70 °C, accuracy 2.0 °C
814	0 to +100 °C; measuring range +10 to + 90 °C, accuracy 2.0 °C
818	0 to +120 °C; measuring range +20 to +100 °C, accuracy 4.0 °C
826	0 to +160 °C; measuring range +20 to +140 °C, accuracy 4.0 °C
832	0 to +200 °C; measuring range +20 to +180 °C, accuracy 4.0 °C
834	0 to +250 °C; measuring range +30 to +220 °C, accuracy 5.0 °C
926	+50 to +250 °C; measuring range +70 to +230 °C, accuracy 4.0 °C
840	0 to +300 °C; measuring range +30 to +270 °C, accuracy 10.0 °C
927	+50 to +300 °C; measuring range +80 to +270 °C, accuracy 5.0 °C
843	0 to +350 °C; measuring range +50 to +300 °C, accuracy 10.0 °C
932	+50 to +350 °C; measuring range +80 to +320 °C, accuracy 10.0 °C
848	0 to +400 °C; measuring range +50 to +350 °C, accuracy 10.0 °C
851	0 to +450 °C; measuring range +50 to +400 °C, accuracy 10.0 °C
854	0 to +500 °C; measuring range +50 to +450 °C, accuracy 10.0 °C
858	0 to +600 °C; measuring range +100 to +500 °C, accuracy 15.0 °C

(4) Capillary type (FL)¹

02	FL02 copper capillary with copper braiding, approx. 2.5 mm dia. (up to +300 °C top of indication range)
11	FL11 copper capillary with PE sleeve, approx. 3.5 mm dia. (up to +120 °C top of indication range)
17	FL17 stainless steel capillary, 1.5 mm dia.
21	FL21 copper capillary, 1.0 mm dia. (up to +300 °C top of indication range)

(5) Capillary length¹

1000	1000 mm
2000	2000 mm
3000	3000 mm
4000	4000 mm
5000	5000 mm
...	special length (specify in plain text: in 1000 mm steps, maximum length: 10000 mm)

JUMO GmbH & Co. KG
 Delivery address: Mackenrodtstraße 14
 36039 Fulda, Germany
 Postal address: 36035 Fulda, Germany
 Phone: +49 661 6003-0
 Fax: +49 661 6003-607
 E-mail: mail@jumo.net
 Internet: www.jumo.net














JUMO Instrument Co. Ltd.
 JUMO House
 Temple Bank, Riverway
 Harlow, Essex CM20 2DY, UK
 Phone: +44 1279 635533
 Fax: +44 1279 635262
 E-mail: sales@jumo.co.uk
 Internet: www.jumo.co.uk

JUMO Process Control, Inc.
 6733 Myers Road
 East Syracuse, NY 13057, USA
 Phone: 315-437-5866
 1-800-554-5866
 Fax: 315-437-5860
 E-mail: info.us@jumo.net
 Internet: www.jumousa.com



Order details
MICROSTAT-M Type 608501

Order code

(6) Process connection (PA)¹		
750	TF 01; temperature probe with stepped support tube	
752	TF 11; temperature probe without support tube	
843	TA 02; immersion tube with union nut and loose nipple ²	
161	TA 03; immersion tube with loose union nut	
847	TA 06; sliding clamp fitting on support tube ²	
311	TA 20; immersion tube with loose nipple and shoulder ²	
872	TA 21; immersion tube with loose plug and conical seal	
873	TA 22; immersion tube with loose plug, conical seal and loose nipple ²	
401	TA 23; immersion tube with plug and spring clip	
913	SH 07; screw-in pocket, assembled, with clamping clip and fixing screw ²	
820	SH 09; weld-in pocket, assembled, with clamping clip and fixing screw (not with FL21 - welding shoulder with steel 1.4515)	
876	SH10; screw-in pocket, assembled ²	
871	SH11; screw-in pocket, assembled ²	
(7) Diameter of process connection (PA)¹		
6	6 mm dia.	
8	8 mm dia.	
10	10 mm dia.	
11	11 mm dia.	
12	12 mm dia.	
(8) Thread for process connection (PA)¹		
000	no thread (with TF 01 and TF 11)	
103	G ³ / ₈ thread	
104	G ¹ / ₂ thread	
105	G ³ / ₄ thread	
114	M 10 x 1 thread (with TA 23 and SH 11 only)	
(9) Material of probe / support tube¹		
26	stainless steel (CrNi, 1.4571)	
96	copper (Cu) / brass (CuZn) (up to 200 °C)	
95	stainless steel (CrNi, 1.4571) - probe / brass (CuZn) - support tube (from 250 °C)	
(10) Material of process connection (PA)¹		
00	none (TF01 and TF11 only)	
01	steel (St)	
26	stainless steel (CrNi, 1.4571)	
46	brass (CuZn)	

JUMO GmbH & Co. KG
 Delivery address: Mackenrodtstraße 14
 36039 Fulda, Germany
 Postal address: 36035 Fulda, Germany
 Phone: +49 661 6003-0
 Fax: +49 661 6003-607
 E-mail: mail@jumo.net
 Internet: www.jumo.net

JUMO Instrument Co. Ltd.
 JUMO House
 Temple Bank, Riverway
 Harlow, Essex CM20 2DY, UK
 Phone: +44 1279 635533
 Fax: +44 1279 635262
 E-mail: sales@jumo.co.uk
 Internet: www.jumo.co.uk

JUMO Process Control, Inc.
 6733 Myers Road
 East Syracuse, NY 13057, USA
 Phone: 315-437-5866
 1-800-554-5866
 Fax: 315-437-5860
 E-mail: info.us@jumo.net
 Internet: www.jumousa.com



Order details
MICROSTAT-M Type 608501

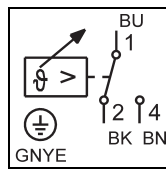
Order code

(11) Fitting length of process connection (PA)¹ (dimension EL or S)

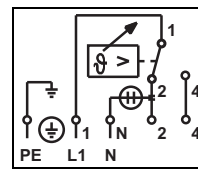
0	minimum fitting length TF 11 (active probe dimension)
50	50 mm
100	100 mm
150	150 mm
200	200 mm
...	special length (specify in plain text, in 50 mm steps)

(12) Switching output (SA)

,20 SA 20 one contact



Connection diagram, standard



Connection diagram, with indicator light (TZ 572)

(13) Extra codes (TZ)

000	no extra code
507	Electrical connection by screw terminals for cable up to 1.5 mm ² conductor cross-section
426	Plastic cover to protect the tab connectors or screw terminals against touching and splashing water, IP54, with cable gland, suitable for 6 – 8 mm cable dia.
650	Microswitch 10 (3) A (230 V AC/DC +10/-15%, 48 – 63 Hz, p.f. = 1 (0.6)) (not with TZ 577)
518	Stop for upper or lower limit of setpoint adjustment, factory-set
315	Capillary reinforcement on housing and probe (not with FL21)
477	Setpoint adjustment protected by screw cap. Adjustment with tool (only in case size 60 mm diameter in plastic housing).
520	Switching point fixed in the factory.
522	Customized scale
743	Class 1.5

Special versions on request!

Order code

(1)	(2)	(3)	(4)	(5)	(6)	(7)	(8)	(9)	(10)	(11)	(12)	(13)							
608501	/	-	...	-	..	-	-	...	-	..	-	-	..	/	...	, ...

Order example

608501	/	2160	-	818	-	21	-	2000	-	750	-	8	-	000	-	96	-	00	-	100	-	20	/	000 ³
--------	---	------	---	-----	---	----	---	------	---	-----	---	---	---	-----	---	----	---	----	---	-----	---	----	---	------------------

¹ See Data Sheet 608730 for description and features.

² Screw-in spigot to DIN 3852 Form A.

³ List extra codes in sequence, separated by commas.