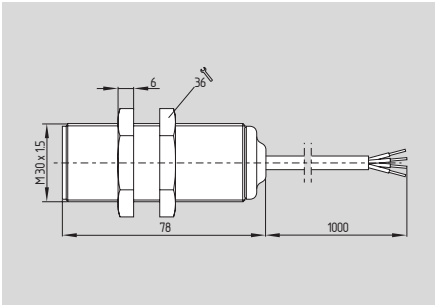


Safety sensors

BNS 300



- With integral evaluation
- Thermoplastic enclosure
- With coding
- Long life, no mechanical wear
- Protection class IP 67
- Intensive to transverse misalignment
- Intensive to soiling
- With LED
- Suitable for food processing industry

Technical data

Standards: IEC 60947-5-3
BG-GS-ET-14

Design: cylindrical

Enclosure: glass-fibre reinforced thermoplastic, tightening force A/F 36 mm max. 300 Ncm

Protection class: IP 67 to EN 60529

Termination: Boflex cable, suffix -ST: M12 x 1 connector

Cable section: 4 x 0.75 mm²

Mode of operation: magnetic

Actuating magnet: BPS 300, BPS 303, BPS 303 SS, coded

Control category: 1 to EN 954-1

Classification: up to PDF-S to IEC 60947-5-3 in combination with a safety monitoring module

S_{ao}: 5 mm
8 mm (ordering suffix -2211)

S_{ar}: 15 mm
18 mm (ordering suffix -2211)

Switching conditions indicator: LED

Max. switching voltage with LED: 250 VAC

Max. switching voltage with connector: 250 VAC

Max. switching current with LED: 3 A

Max. switching capacity with LED: 750 W

Output: 1 enabling circuit

U_e: 24 VDC

I_e: 30 mA

Ambient temperature: -25 °C ... +55 °C

Storage and transport temperature: -25 °C ... +70 °C

Max. switching frequency: 5 Hz

Resistance to shock: 30 g / 11 ms

Resistance to vibration: 10 ... 55 Hz, amplitude 1 mm

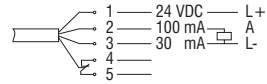
Contact variants

1 NC



1 NC

Supplementary signal output Ordering suffix -2230



Approvals

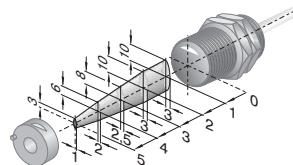


Ordering details

BNS 300-01zG-①-②

No.	Replace	Description
①	ST	With cable Connector M12
②	2211	Increased switching distance
	2230	Supplementary signal output
	2246	Ue 42 VAC

Note



Enabling zone

The actuating magnets are not included in delivery, can be found as of page 1-95.

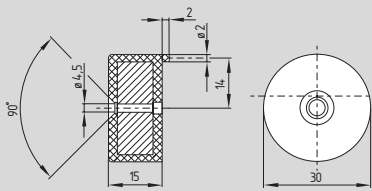
Note

Contact symbols shown for the closed condition of the guard device.

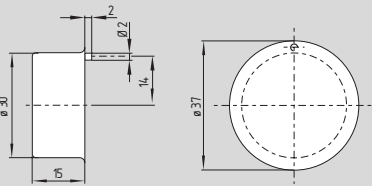
The LED is illuminated when the guard is closed.

Safety sensors

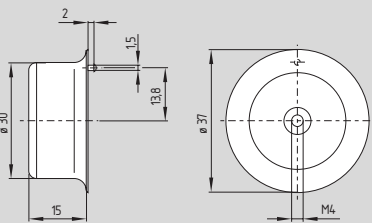
System components



BPS 300



BPS 303



BPS 303 SS

Ordering details

Actuating magnets:

Thermoplastic **BPS 300**

Thermoplastic for
food processing industry **BPS 303**

Stainless steel for
food processing industry **BPS 303 SS**