



## 0.5 Nm ovoid 3.9 Watts 3.9 W Part number 82861017



- Torque rating of gearboxes: 0.5 Nm, high-performance plastic gears
- Motors: nominal power 3 W, interference suppression for standard stocked products
- Wide speed range: 0.3 to 430 rpm
- Optional encoder built into the motor

	Type	Type	Voltage	Standard speed (rpm)	Output speed (rpm)	Ratios (i)
82861006	3.9 W	828610	12 V	4300	430	10
82861007	3.9 W	828610	12 V	4300	215	20
MADE TO ORDER	3.9 W	828610	12 V	4300	179	24
82861008	3.9 W	828610	12 V	4300	143	30
82861009	3.9 W	828610	12 V	4300	108	40
MADE TO ORDER	3.9 W	828610	12 V	4300	90	48
82861010	3.9 W	828610	12 V	4300	54	80
MADE TO ORDER	3.9 W	828610	12 V	4300	49	90
MADE TO ORDER	3.9 W	828610	12 V	4300	29	150
82861011	3.9 W	828610	12 V	4300	22	200
82861012	3.9 W	828610	12 V	4300	11	375
82861013	3.9 W	828610	12 V	4300	8,6	500
MADE TO ORDER	3.9 W	828610	12 V	4300	5,8	750
82861014	3.9 W	828610	12 V	4300	3,6	1200
MADE TO ORDER	3.9 W	828610	12 V	4300	1,8	2400
MADE TO ORDER	3.9 W	828610	12 V	4300	0,80	5400
MADE TO ORDER	3.9 W	828610	12 V	4300	0,36	12000
82861015	3.9 W	828610	24 V	4300	430	10
82861016	3.9 W	828610	24 V	4300	215	20
MADE TO ORDER	3.9 W	828610	24 V	4300	179	24
82861017	3.9 W	828610	24 V	4300	143	30
82861018	3.9 W	828610	24 V	4300	108	40
MADE TO ORDER	3.9 W	828610	24 V	4300	90	48
82861019	3.9 W	828610	24 V	4300	54	80
MADE TO ORDER	3.9 W	828610	24 V	4300	49	90
MADE TO ORDER	3.9 W	828610	24 V	4300	29	150
82861020	3.9 W	828610	24 V	4300	22	200
82861021	3.9 W	828610	24 V	4300	11	375
82861022	3.9 W	828610	24 V	4300	8,6	500
MADE TO ORDER	3.9 W	828610	24 V	4300	5,8	750
82861023	3.9 W	828610	24 V	4300	3,6	1200
MADE TO ORDER	3.9 W	828610	24 V	4300	1,8	2400
MADE TO ORDER	3.9 W	828610	24 V	4300	0,80	5400
MADE TO ORDER	3.9 W	828610	24 V	4300	0,36	12000

### General characteristics

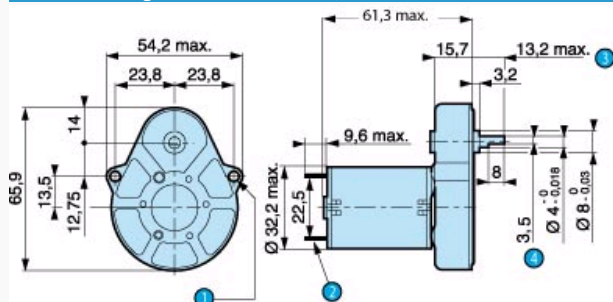
Motor	828600
Gearbox	810210
Maximum permitted torque from gearmotor under continuous conditions for 1 million turns (Nm)	0.5
Axial load static (daN)	1
Radial load static (daN)	8
Max. output power (W)	3,9
Nominal output (W)	3
Gearbox case temperature rise (°C)	50

Made to order products, available on request

- Other supply voltages
- Motor with 2 ball bearings
- Shaft lengths at front and/or rear
- Lead outputs or radial tag terminals
- Special interference suppression
- Encoder: 5 pulses/rev

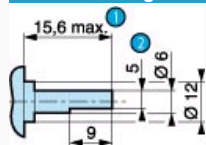
- Special shaft
- Ball bearing
- Special greasing
- Torque limiter F
- Gearbox fixing M3
- Other speeds

Dimension Diagram : 828610



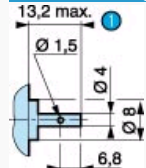
N°	Legend
1	2 fixing holes Ø 3.2
2	2 standard tags NFC 20-120, series 2.8 x 0.5 mm
3	Shaft pushed-in
4	3.5 across flats

Dimension Diagram : Shaft 70999421SP1295.10



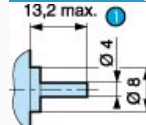
N°	Legend
1	Shaft pushed-in
2	5 across flats

Dimension Diagram : Shaft 79200779



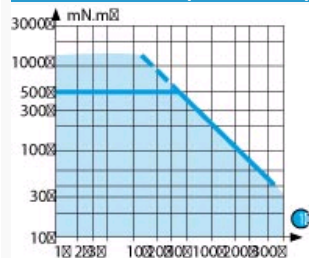
N°	Legend
1	Shaft pushed-in

Dimension Diagram : Shaft 79200967



N°	Legend
----	--------

## Curves : Curve: torque/nominal speed 828610



N°

Legend

1

rpm

## Special adaptations

- Special supply voltage
- Lead output
- 1 or 5 pulse encoder
- Special connectors
- Special shaft
- Special reduction ratio
- Special materials for gears
- Special ball bearings
- Special adaptor plate
- EMC filter
- More than 200 reduction ratios available