



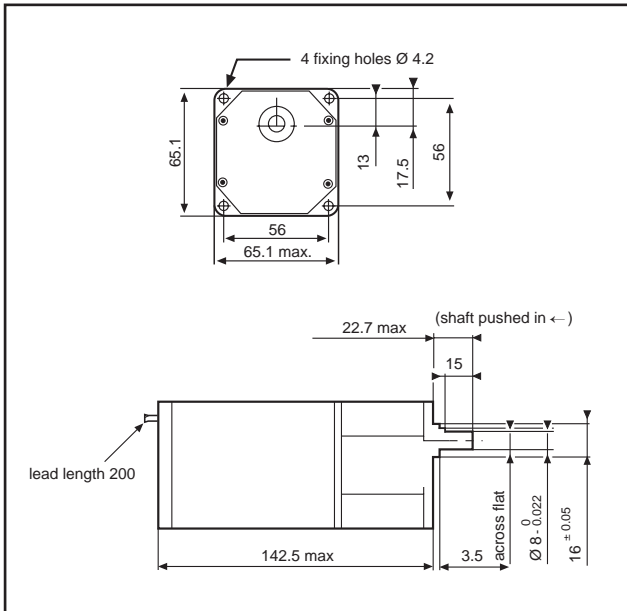
# dc geared motor 63mm diameter

## Data Sheet

RS stock numbers 224-3647, 224-3653, 224-3596,  
224-3625, 224-3603, 224-3619

### Introduction

These motors have been designed and manufactured for incorporation into equipment or machines and are considered to be component parts of a larger system. The design and construction has taken in to account the provisions of the appropriate European Legislation for these items.



### Technical data

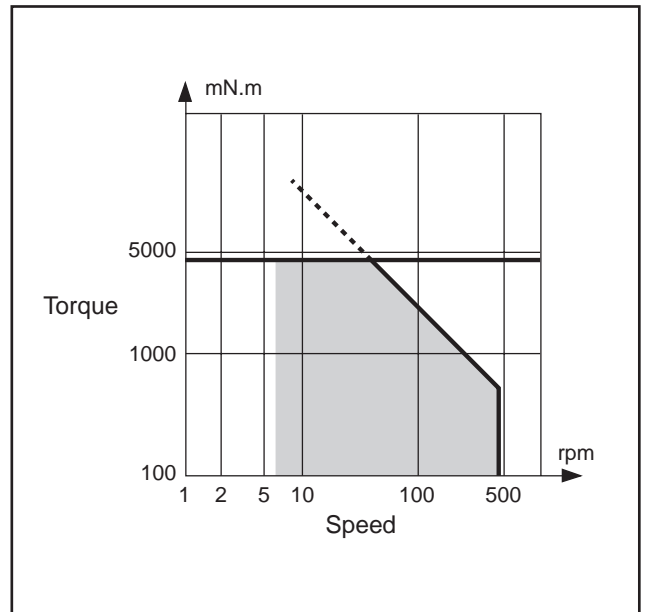
Motor supply voltage	(Vdc)	12	24
Nominal output power	(W)	27	27
Nominal current	(A)	3.6	1.9
Starting torque	(mNm)	600	600
Starting current	(A)	12	6.2
Resistance	(Ω)	1	3.9
Inductive	(H)	1.4	6.4
Life	(h)	5000	5000
Maximum gearbox torque	(Nm)	5	5
Axial load (dynamic)	(daN)	6	6
Radial load (dynamic)	(daN)	6	6
Gearbox temperature rise	(°C)	50	50
Protection rating		IP20	IP20
Weight	(g)	1540	1540

### 12Vdc - Geared motor

RS stock no.	Ratio	Final Speed (rpm)
224-3647	24.5:1	73
224-3653	38.28:1	47

### 24Vdc - Geared motor

RS stock no.	Ratio	Final Speed (rpm)
224-3596	12.25:1	147
224-3625	24.5:1	73
224-3603	61.25:1	29.4
224-3619	122.5:1	14.7



---

The information provided in **RS** technical literature is believed to be accurate and reliable; however, RS Components assumes no responsibility for inaccuracies or omissions, or for the use of this information, and all use of such information shall be entirely at the user's own risk.  
No responsibility is assumed by RS Components for any infringements of patents or other rights of third parties which may result from its use.  
Specifications shown in RS Components technical literature are subject to change without notice.

---