

TURCK

Level Sensors - Capacitive

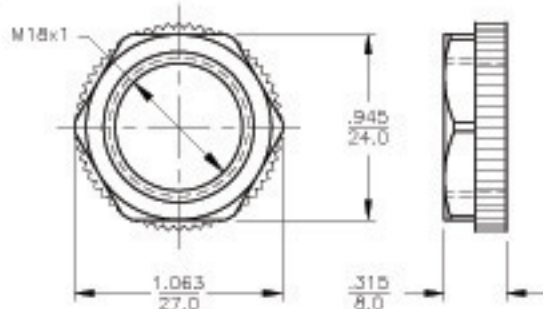


Housing Style	Part Number	ID Number	Features	Embeddable Range (mm)	Nonembed. Range (mm)	Output
18 mm - Embeddable, Potted-In cable 	BCF 5-S18-AP4X	M2503011	Noise Immune	5	7.5	3-Wire DC PNP
	BCF 5-S18-AP4X/S90	M2503014	Noise Immune	5	7.5	
	BCF 5-S18-AN4X	M2503012	Noise Immune	5	7.5	3-Wire DC NPN
	BCF 5-S18-RN4X	M2503008	Noise Immune	5	7.5	
18 mm - Embeddable, eurofast® Connector 	BCF 5-S18-AN4X-0.2M-RS 4T	M2503089	Noise Immune	5	7.5	3-Wire DC NPN
	BCF 5-S18-AP4X-0.2M-RS 4T	M2503099	Noise Immune	5	7.5	3-Wire DC PNP
30 mm - Embeddable, eurofast Connector 	BCF10-S30-VN4X-H1141	M2506016	Noise Immune	10	15	4-Wire DC NPN
	BCF10-S30-VP4X-H1141	M2506117	Noise Immune	10	15	4-Wire DC PNP
30 mm - Embeddable, microfast® Connector 	BCF10-S30-AZ3X-B3131	M2506012	Noise Immune	10	15	2-Wire AC

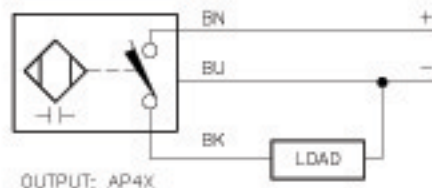
Voltage	Switching Freq. (Hz)	Switching Current (mA)	Operating Temp. (°C)	Protection Class	Housing	End Cap	Power LED	Output LED	Mating Cord, Cable Lengths/Jacket	Wiring Diagram #	Wiring Diagrams
10-65 VDC	100	≤200	-25 to +70	IP 67	PA 12	PUR	N/A	YE	2M/PVC	1	<p>Diagram 1</p>
	100	≤200	-25 to +70	IP 67	PA 12	PUR	N/A	YE	2M/PUR	1	
10-65 VDC	100	≤200	-25 to +70	IP 67	PA 12	PUR	N/A	YE	2M/PVC	2	<p>Diagram 2</p>
	100	≤200	-25 to +70	IP 67	PA 12	PUK	N/A	YE	2M/PVC	2	
10-65 VDC	100	≤200	-25 to +70	IP 67	PA 12	PUR	GN	YE	RK 4T-*	3	<p>Diagram 3</p>
10-65 VDC	100	≤200	-25 to +70	IP 67	PA 12	PUR	GN	YE	RK 4T-*	4	<p>Diagram 4</p>
10-65 VDC	100	≤200	-25 to +70	IP 67	PA 12	PA 66	N/A	YE	RK 4.4T-*	5	<p>Diagram 5</p>
10-65 VDC	100	≤200	-25 to +70	IP 67	PA 12	PA 66	N/A	YE	RK 4.4T-*	6	<p>Diagram 6</p>
20-250 VAC	20	≤500	-25 to +70	IP 67	PA 12	PA 66	N/A	YE	KB 3T-*	7	<p>Diagram 7</p>

* Length in meters.

LOCKNUT LN-P18



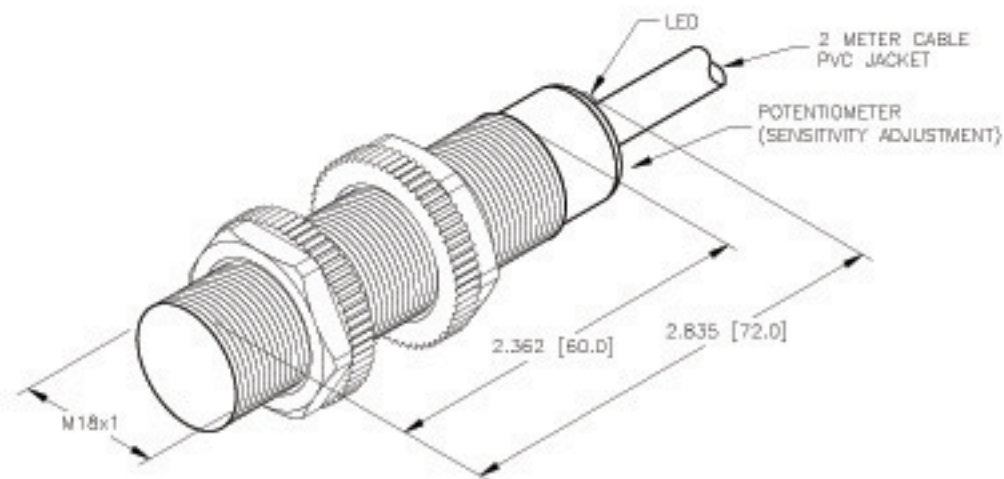
WIRING DIAGRAM



SHORT-CIRCUIT AND OVERLOAD PROTECTED

SPECIFICATIONS

OPERATING VOLTAGE	10-65 VDC
RIPPLE	≤10%
DIFFERENTIAL (TRAVEL) HYSTERESIS	2-20% (5% TYPICAL)
VOLTAGE DROP ACROSS CONDUCTING SENSOR	≤1.8 V at 200 mA
OUTPUT FUNCTION	FORMLY OPEN 1 WIRE OR SELF-CONTAINED
TTL COMPATIBLE	NO
SHORT-CIRCUIT PROTECTED	YES
TRIGGER CURRENT FOR OVERLOAD PROTECTION	≥220 mA
CONTINUOUS LOAD CURRENT	≤200 mA
OFF-STATE (LEAKAGE) CURRENT	<100 μA
NO-LOAD CURRENT	≤12.0 mA
TIME DELAY BEFORE AVAILABILITY	≤ 25 ms
POWER-ON EFFECT PROTECTION	Per IEC 947-5-2
POLARITY INVERSION PROTECTION	INCORPORATED
WIRE-BREAK PROTECTION	INCORPORATED
OPERATING TEMPERATURE	-25°C to +70°C (-13°F to +158°F)
ENCLOSURE	MEETS NEMA 1,3,4,6,13 AND IEC IP67
SHOCK	30 g, 11 ms
VIBRATION	55 Hz, 1 mm AMPLITUDE (3 PLANES)
LED ON	OUTPUT ENERGIZED
SENSING RANGE	5 mm = .197" (NOMINAL)
SWITCHING FREQUENCY	100 Hz
REPEATABILITY	≤ 2% OF RATED OPERATING DISTANCE
IMMUNITY TO ESD	8 kV DIRECT/ 30 kV AIRBORNE
IMMUNITY TO RFI	15 V/M, 80-1000 MHz
IMMUNITY TO ELECTRICAL FAST TRANSIENTS	3000 V
IMMUNITY TO LINE COUPLED NOISE	>10V, 150 KHz-230 MHz
IMMUNITY TO SURGES	1 kV, 500 Ω DC



RELATED DOCUMENTS 1. 2. 3. 4.	3RD ANGLE PROJECTION 	THIS DRAWING IS PROPERTY OF TURCK INC. USE OF THIS DOCUMENT WITHOUT WRITTEN PERMISSION IS PROHIBITED.		TURCK INC High Technology Sensors and Automation Controls	
	MATERIAL PA 12-GF30 PLASTIC	TOLERANCES UNLESS OTHERWISE SPECIFIED .X ±0.02 .XX ±0.01 .XXX ±0.005 ANGLES ±1° ALL MILLIMETER DIMENSIONS ARE REFERENCE ONLY	DWT RDS DATE 05/22/02 UOBR SCALE NONE	DESCRIPTION BCF 5-518-AP4X	
FINISH	UNIT OF MEASUREMENT MM [MILLIMETER]	IDENTIFICATION NO. M2503011		REV B	
B UPDATE SPECS, WIRING DIAGRAM REV DESCRIPTION	JBJ 02/10/03 10145 BY DATE EDO NO.	DO NOT SCALE THIS DRAWING		FILE: M2503011 SHEET 1 OF 1	

B	UPDATE SPECS, WIRING DIAGRAM	JBJ	02/10/03	10145
REV	DESCRIPTION	BY	DATE	EDO NO.