

# Hour meters / timers, electronic

LCD hour meters

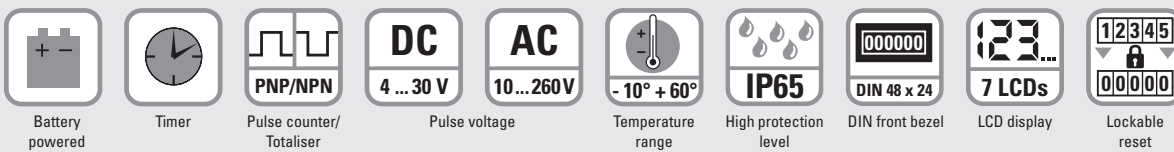
Max. time range 9999 h 59 min or 9999.99 h (battery)

Codix 134



The Codix 134 is a simple battery-powered hour meter for PNP, NPN and high voltage applications.

Its 7-digit LCD display with optional backlighting can display various time ranges.



## Powerful

- High quality LCD display with 8 mm high figures – optional display backlighting
- Time range hours with minutes or industry minutes  
1 pulse = 36 sec programmable via control input
- Battery lifetime 8 years
- High voltage versions for 10 ... 260 V AC/DC voltage pulses, thus to be connected directly via contactors, relays and motors
- Very high accuracy: 100 ppm

## Simple

- Screw terminals, RM 5 mm
- Reset key lockable via the input 'Reset Enable'
- According to version for PNP, NPN switching level or high voltage version for 10 ... 260 V AC/DC switching voltage
- Accumulated time is always readable thanks to battery powering
- High protection level IP65

## Order code

6.134 . 012 . 8XX  
a b

**a** Backlighting  
 5 = without <sup>1)</sup>  
 6 = with

**b** Count input

Mode	INP A:		INP B	
0 = Timer <sup>1)</sup>	–		0 ... 0.7 V DC	NPN
1 = Timer <sup>1)</sup>	–		4 ... 30 V DC	PNP
3 = Timer <sup>1)</sup>	10 ... 260 V AC/DC	AC/DC	10 ... 260 V AC/DC	AC/DC

## Delivery specification

- Timer
- Mounting clip
- Front bezel for screw mounting (T008181)  
56 x 40 mm [2.20 x 1.57"], panel cut-out 50 x 25 mm [1.97 x 0.98"]
- Front bezel for clip mounting (T008180)  
53 x 28 mm [2.09 x 1.10"], panel cut-out 50 x 25 mm [1.97 x 0.98"]
- Gasket
- Instruction manual, multilingual

1) Stock types

# Hour meters / timers, electronic

<b>LCD hour meters</b>	<b>Max. time range 99999 h 59 min or 99999.99 h (battery)</b>	<b>Codix 134</b>
------------------------	---	------------------

Accessories	Dimensions in mm [inch]	Order-No.
<b>Adapter front bezel, 72 x 36 [2.83 x 1.42]</b>	For cut-out 68 x 33 [2.68 x 1.30] to cut-out 45 x 22.2 [1.77 x 0.87], for counters 48 x 24 [1.89 x 0.94], as set black and silver anodised	<b>162704 Set</b>
<b>Adapter front bezel, 48 x 48 [1.89 x 1.89]</b>	For cut-out 45 x 45 [1.77 x 1.77] to cut-out 45 x 22.2 [1.77 x 0.87], with clip mounting for counters 48 x 24 [1.89 x 0.94] black	<b>T008883</b>
<b>Adapter front bezel, 60 x 50 [2.36 x 1.97]</b>	For cut-out 54 x 29 [2.13 x 1.14] to cut-out 45 x 22.2 [1.77 x 0.87], with screw mounting and gasket for counters 48 x 24 [1.89 x 0.94] black	<b>N003001</b>
<b>Transparent cover, lockable, IP65</b>	For cut-out 54 x 29 [2.13 x 1.14], for screw mounting to front bezel F1B or adapter front bezel N003001, for counters with cut-out 50 x 25 [1.97 x 0.98] or 45 x 22.2 [1.77 x 0.87]	<b>N003002</b>
<b>Sealing cover type K1, IP65</b>	Suitable for front bezel 60 x 50 [2.36 x 1.97], for screw mounting of electromech. counters and via adapter front bezel N003001 for counters 48 x 24 [1.89 x 0.94]	<b>G008301</b>
<b>Mounting frame</b> with cut-out 50 x 25 [2.36 x 1.97] via separate adapter also for 45 x 22.2 [1.77 x 0.87]	For snap-on mounting on 35 [1.38] top-hat DIN rail, for counters 53 x 28 [2.09 x 1.10] and via separate adapter (T008180) for counters 48 x 24 [1.89 x 0.94] chromated	<b>G300004</b>

Suitable gaskets as well as further accessories can be found in the accessories section or in the accessories area of our website at: [www.kuebler.com/accessories](http://www.kuebler.com/accessories).

## Technical data

General technical data	
<b>Display</b>	LCD, 7 digits, 8 mm [0.32"] high
<b>Backlighting</b>	external electrical source 24 V DC $\pm 20\%$ , 50 mA
<b>Modes</b>	adding
<b>Display range</b>	see next page
<b>Reset</b>	manual and electrical
<b>Working temperature</b>	-10°C ... +55°C [+14°F ... +131°F] (non-condensing)
<b>Operating temperature</b>	-10°C ... +60°C [+14°F ... +140°F] (non-condensing)
<b>Storage temperature</b>	-20°C ... +70°C [-4°F ... +158°F]
<b>Altitude</b>	up to 2000 m [6562']

Electrical characteristics	
<b>Power supply</b>	internal lithium battery approx. 8 years at 20°C [68°F]
<b>EMC</b>	Emitted interference EN 55011 class B Immunity to interference EN 61000-6-2
<b>Device safety</b>	Designed to EN 61010 part 1 Protection class 2 Application area Pollution level 2
<b>UL approval</b>	File-No.: E128604
<b>Measuring error</b>	per Start/Stop cycle a maximum error in the order of the smallest measuring time selected can occur

Mechanical characteristics	
<b>Housing</b>	dark grey RAL 7021
<b>Protection</b>	IP65 (front side)
<b>Weight</b>	approx. 50 g [1.76 oz]

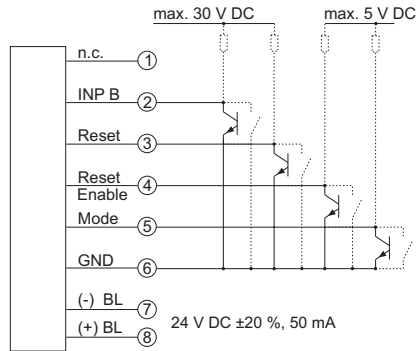
Count input	
<b>A. Timer inputs DC versions (max. 30 V DC) INP B</b>	
Timer input	NPN or PNP depending on the type (see table)
Switching level	NPN LOW: 0 ... 0.7 V DC HIGH: 3 ... 30 V DC PNP LOW: 0 ... 0.7 V DC HIGH: 4 ... 30 V DC
Counting start	NPN for LOW signal at the timer input PNP for HIGH signal at the timer input
<b>B. Timer inputs high voltage versions (10 ... 260 V DC/V AC) INP A</b>	
Timer input	optocoupler input
Min. pulse time	16 ms
Switching level	LOW: 0 ... 2 V DC/V AC HIGH: 10 ... 260 V DC/V AC
Counting start	for HIGH signal at the timer input
<b>C. Time range change (Mode)</b>	
Contact input	NPN open collector (switching at 0 V) LOW 0 ... 0.7 V DC HIGH 3 ... 5 V DC
Time range	depending on the circuit (s. order inform.)
<b>D. Reset input for DC (reset) and High voltage (INPB)</b>	
Min. pulse time	DC 50 ms High voltage 16 ms
Contact input DC	NPN LOW 0 ... 0.7 V DC HIGH 3 ... 30 V DC
High voltage input	10 ... 260 V AC/DC
<b>E. Reset locking input (for DC and AC)</b>	
Electrical reset key locking	
Input not active	reset key locked
Contact input	open collector NPN (switching at 0 V)
Switching level	NPN LOW 0 ... 0.7 V DC HIGH 3 ... 5 V DC

# Hour meters / timers, electronic

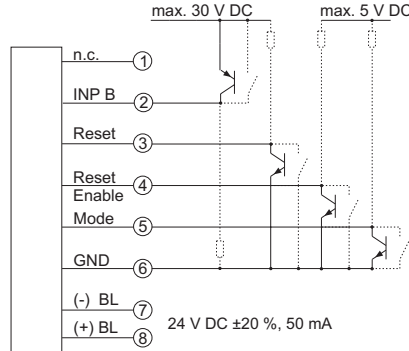
<b>LCD hour meters</b>	<b>Max. time range 99999 h 59 min or 99999.99 h (battery)</b>	<b>Codix 134</b>
------------------------	---	------------------

## Terminal assignment

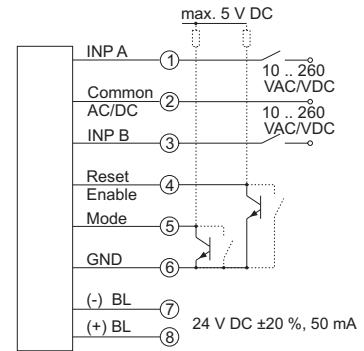
DC type: 6.134.012.8x0



DC type: 6.134.012.8x1



AC type: 6.134.012.8x3



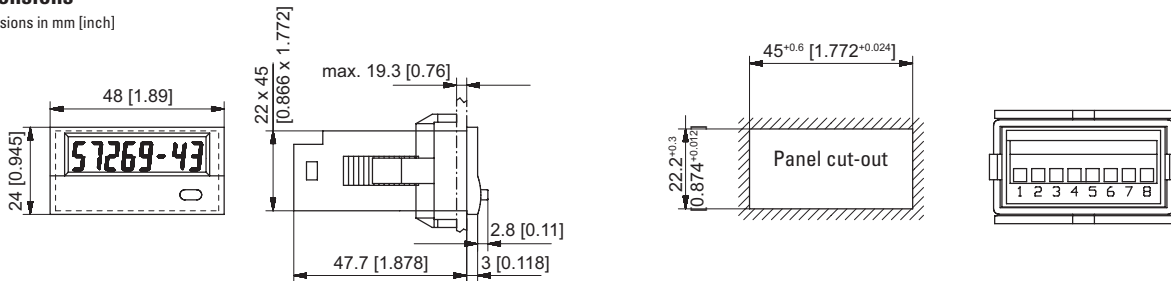
BL = backlighting

## Display and time ranges

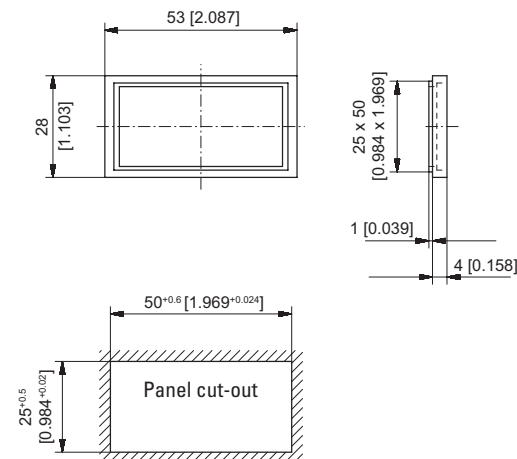
time range	display
99999 h 59 m	
99999.99 h	

## Dimensions

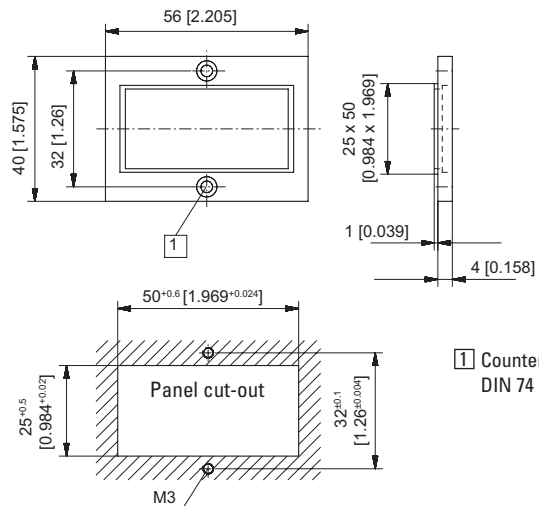
Dimensions in mm [inch]



## Front bezel for clip mounting (included in delivery)



## Front bezel for screw mounting (included in delivery)



1 Countersinking Af3, DIN 74