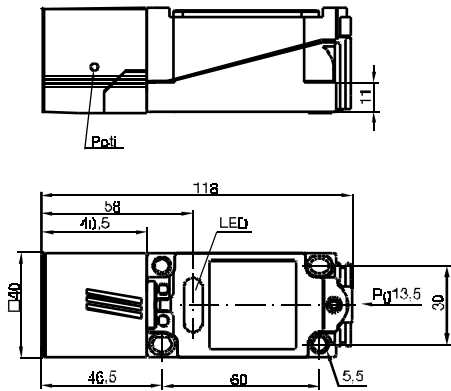


Rectangular Type

AC;DC

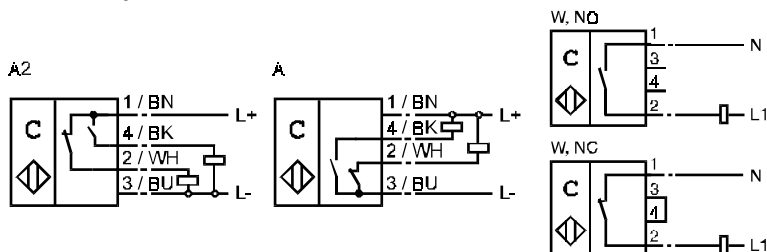
2-/3-wire

Standard series  
15 mm adjustable



Operating dist. $s_n$ , mounting	15 mm, embeddable	15 mm, embeddable		
PNP Antivalent	CJ15+U1+A2			
NPN Antivalent	CJ15+U1+A			
AC Make/Break function		CJ15+U1+W		
Assured operat. dist. $s_a$ [mm]	1 ... 30	0 ... 15		
Operating voltage $U_B$ [V]	10 ... 30	20 ... 253		
Operational current $I_L$ [mA]	200	500		
Switching frequency [Hz]	10	10		
No-load supply current [mA]	20	-		
Off-state current $I_R$ [mA]	-	2,5		
Short time c. $20ms, 0,1Hz$ [mA]	-	4000		
Voltage drop [V]	3	7		
Short circuit protection	pulsing	no		
Reverse polarity protection	yes	-		
Output indicator	LED, red	LED, red		
Operating temperature [°C]	-25 ... 70	-25 ... 70		
EMC to	EN 60947-5-2	EN 60947-5-2		
Protection to DIN 40050	IP 65	IP 65		
Connection	terminal compartment	terminal compartment		
Conductor cross section	up to 2,5 mm <sup>2</sup>	up to 2,5 mm <sup>2</sup>		
Housing material	PBT/PPS	PBT/PPS		
Sensing face	PBT	PBT		

Standard symbol / connection



Capacitive sensors