



RF200  
Motor protection  
relay

Product designation

Product type designation

**General characteristics**

Number of poles	Nr.	3
Overvoltage category		III
Pollution degree		3
Frontal IP degree		IP20
Type of release		Thermal
Protection fuse		
	gG (IEC)	A 250
	aM (IEC)	A 160
	K5 (UL)	A 500
Phase failure detection		No
Reset mode		Manual or automatic

**Power circuit characteristics**

Rated insulation voltage $U_i$ IEC/EN	V	1000
Rated impulse withstand voltage $U_{imp}$	kV	6
Rated operational voltage	V	690
Operational frequency		
	min	Hz 50
	max	Hz 60
Operational current $I_e$		
	Operational current min	A 90
	Operational current max	A 150
Tripping class		10A
Test Button		Yes
Trip indicator		Yes

Terminals

type	screw and flat washer
screw	M8
width	mm 20
tool	Bar 13mm

Tightening torque for terminals

min	Nm	18
max	Nm	18
min	lbin	13.3
max	lbin	13.3

**Auxiliary circuit characteristics**

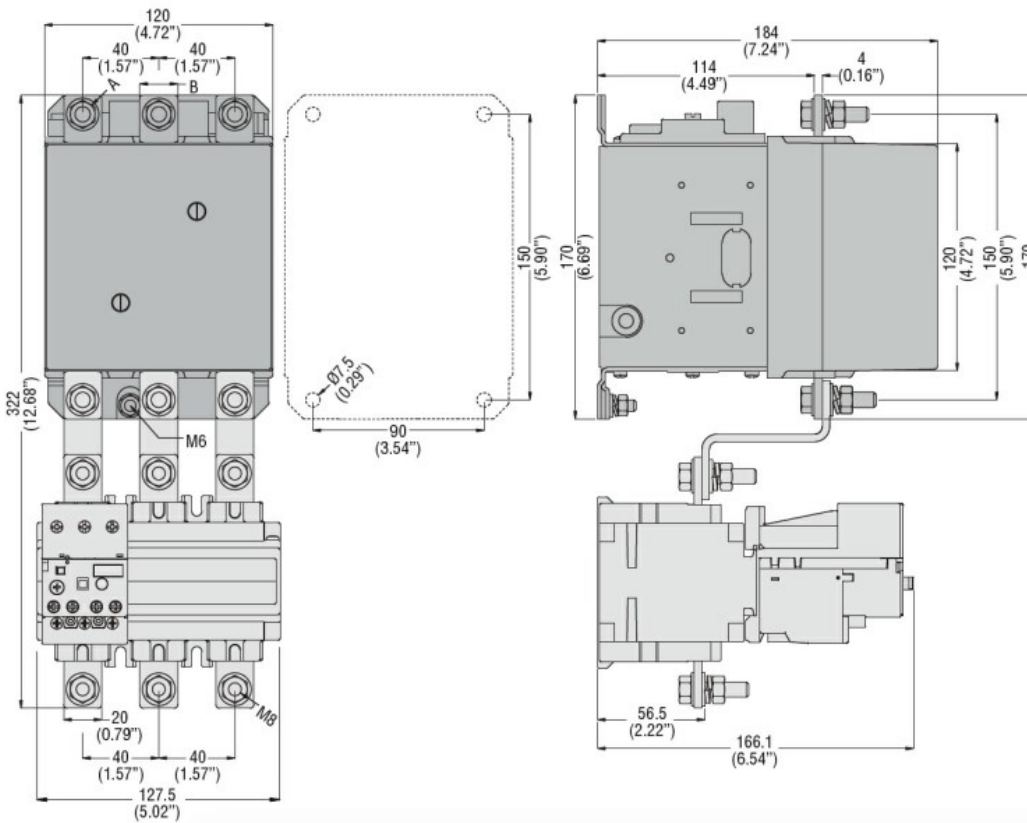
Auxiliary contacts

NO	Nr.	1
NC	Nr.	1

Auxiliary Rated insulation voltage  $U_i$  IEC/EN V 690

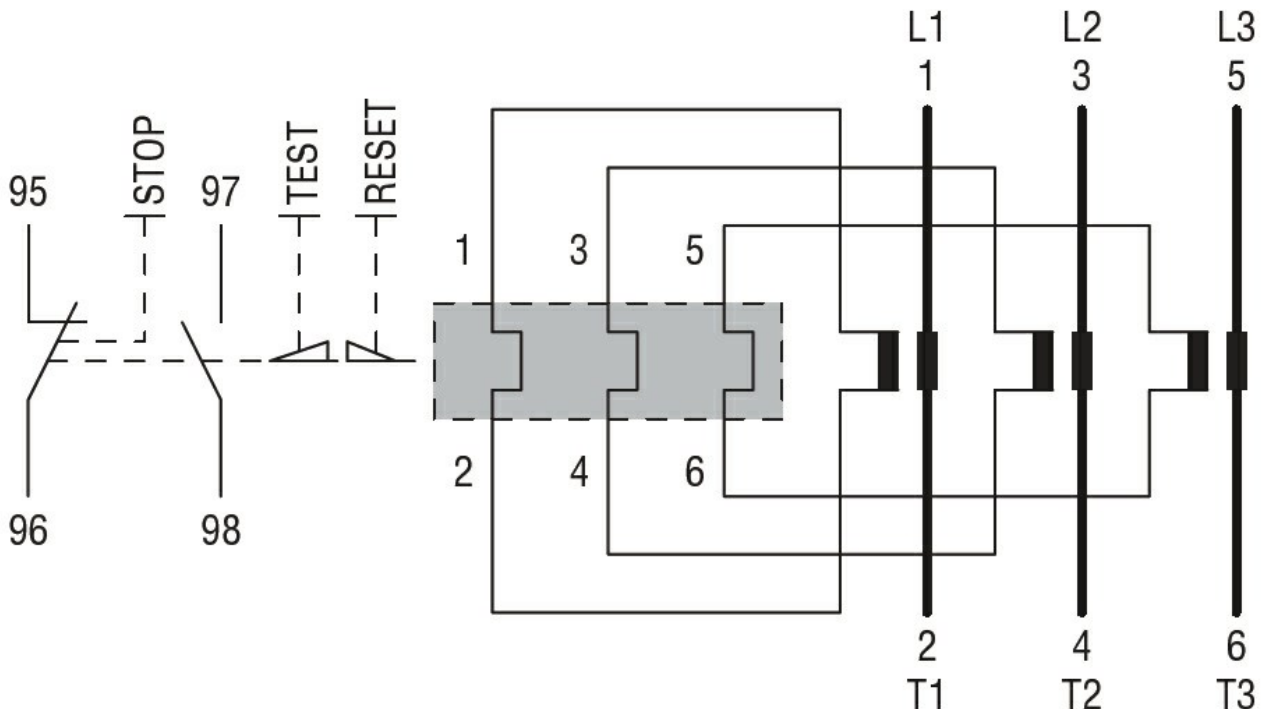
Auxiliary Rated impulse withstand voltage Uimp		kV	6
Auxiliary Rated operational voltage		V	690
Operating current AC15	24V	A	3
	120V	A	3
	240V	A	1.5
	380V	A	0.95
	480V	A	0.75
	500V	A	0.72
Operating current DC13	600V	A	0.6
	125V	A	0.11
	600V	A	0.22
IEC Conventional free air thermal current Ith		A	10
<b>Terminals</b>			
	Auxiliary circuit type		Screw and washer
	Auxiliary circuit screw		M3,5
	Auxiliary circuit width	mm	8
	Auxiliary circuit tool		Phillips 2
<b>Conductor section</b>			
	Auxiliary circuit Flexible w/o lug max	mm <sup>2</sup>	2.5
	Auxiliary circuit Flexible c/w lug max	mm <sup>2</sup>	2.5
<b>Tightening torque for terminals</b>			
	Auxiliary circuit min	Nm	0.8
	Auxiliary circuit max	Nm	1
	Auxiliary circuit min	lbin	0.59
	Auxiliary circuit max	lbin	0.74
UL/CSA and IEC/EN 60947-5-1 designation			B600-R300
<b>Ambient conditions</b>			
<b>Operating temperature</b>			
	min	°C	-25
	max	°C	60
<b>Storage temperature</b>			
	min	°C	-50
	max	°C	70
<b>Compensation temperature</b>			
	min	°C	-20
	max	°C	60
Max altitude		m	3000
<b>Mechanical features</b>			
<b>Operating position</b>			
	normal allowable		Vertical plan ±30°
Fixing			Screw
Weight		g	2150
<b>UL technical data</b>			
<b>Full-load current (FLA) for three-phase AC motor</b>			
	at 480V	A	150
	at 600V	A	150
<b>Dimensions</b>			

Motor protection relay, phase failure/single-phase sensitive. Three-pole (three-phase), manual or automatic resetting, 90...150A



CONTACTOR TYPE	A	B
B115	M6	15 (0.59")
B145	M8	20 (0.79")
B180	M8	20 (0.79")

**Wiring diagrams**



**Certifications and compliance**

**Compliance**

- CSA C22.2 n° 14
- IEC/EN 60947-1
- IEC/EN 60947-4-1
- UL508

**Certifications**

Motor protection relay, phase failure/single-phase sensitive. Three-pole (three-phase), manual or automatic resetting, 90...150A

cULus  
EAC

---

ETIM classification

ETIM 8.0

EC000106 -  
Thermal overload  
relay