

Datasheet - RST260-1

Safety sensors / RSS260 / Actuator



- Actuation from side
- Simple mounting
- Mounting 2 x M4

(Minor differences between the printed image and the original product may exist!)

Ordering details

Product type description	RST260-1
Article number	103004318
EAN code	
notice	Sensor and actuator must be ordered separately.
eCl@ss	27-27-92-17

Approval

Approval



Global Properties

Product name	Betätiger
Materials	
- Material of the actuator	Plastic
Weight	20 g

Mechanical data

Active area	lateral
with latching magnet (Y/N)	-

Dimensions

Dimensions of the actuators

- Width of the actuator	40 mm
- Height of the actuator	18 mm
- Length of the actuator	29.5 mm

Documents

Operating instructions and Declaration of conformity (jp) 742 kB, 03.09.2014

Code: mrl_rss260_jp

Operating instructions and Declaration of conformity (it) 479 kB, 14.07.2014

Code: mrl_rss260_it

Operating instructions and Declaration of conformity (nl) 472 kB, 14.07.2014

Code: mrl_rss260_nl

Operating instructions and Declaration of conformity (es) 477 kB, 04.08.2014

Code: mrl_rss260_es

Operating instructions and Declaration of conformity (fr) 471 kB, 14.07.2014

Code: mrl_rss260_fr

Operating instructions and Declaration of conformity (de) 483 kB, 14.07.2014

Code: mrl_rss260_de

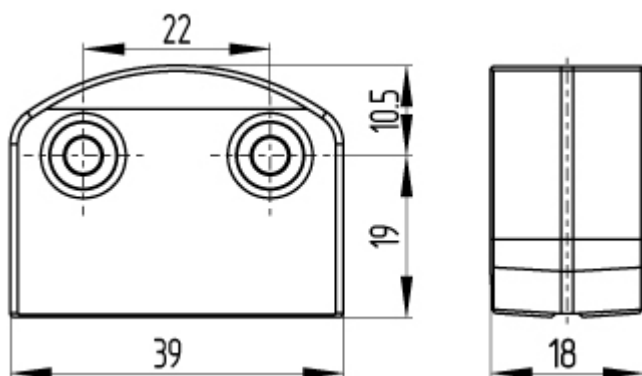
Operating instructions and Declaration of conformity (pl) 489 kB, 14.07.2014

Code: mrl_rss260_pl

Operating instructions and Declaration of conformity (en) 477 kB, 14.07.2014

Code: mrl_rss260_en

Images



Dimensional drawing (actuator)