

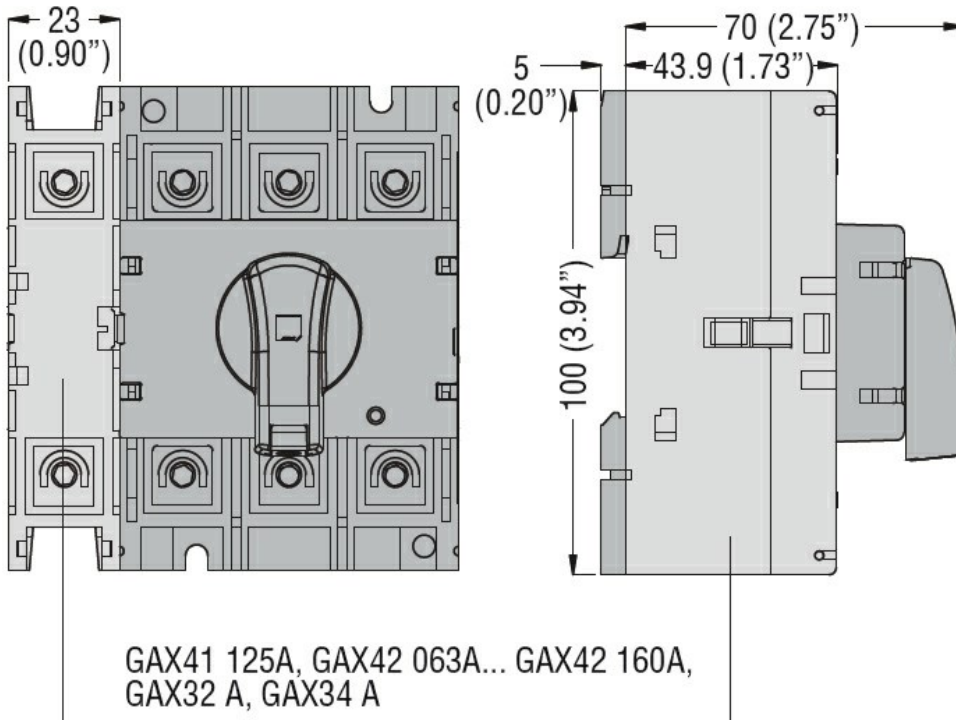


Product designation				Fourth pole add-on
Product type designation				GAX42
Number of poles		Nr.		1
Operating voltage type				AC
<b>Contact characteristics</b>				
IEC Conventional free air thermal current I <sub>th</sub>		A		160
Rated insulation voltage U <sub>i</sub> IEC/EN		V		1000
Rated impulse withstand voltage U <sub>imp</sub>		kV		8
Operating current I <sub>e</sub>				
AC21A				
	400V	A		160
	500V	A		160
	690V	A		160
AC22A				
	400V	A		160
	500V	A		125
	690V	A		125
AC23A				
	400V	A		125
	500V	A		100
	690V	A		47
Making capacity AC23A 400V		A		1250
Breaking capacity AC23A 400V		A		1000
Mechanical life		cycles		30000
Electrical life AC21A		cycles		1500 (AC23A 400V)
<b>Mechanical features</b>				
Terminals				
	type			Pillar
	width	mm		12.4
	height	mm		10.4
	screw			M8
	tool			Metric Allen key 4
Tightening torque for terminals				
	min	Nm		5
	max	Nm		6
	min	lbin		3.75
	max	lbin		4.5
Conductor section				
	IEC min	mm <sup>2</sup>		4
	IEC max	mm <sup>2</sup>		70
	AWG/kcmil min			12
	AWG/kcmil max			1

**Ambient conditions**

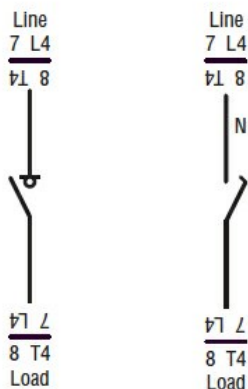
Operating temperature

	min	°C	-25
	max	°C	+55
Storage temperature			
	min	°C	-40
	max	°C	+70
Max altitude		m	3000
<b>Resistance &amp; Protection</b>			
Pollution degree			3
<b>Dimensions</b>			



**Wiring diagrams**

Fourth pole add on  
**GAX42...**      **GAX41...**



**Certifications and compliance**

**Compliance**

CSA C22.2

IEC/EN 60947-1

IEC/EN 60947-3

UL508

Fourth pole add-on, simultaneous closing operation as switch poles. For GA...A version, 160A

---

UL98

---

Certifications

CCC

EAC

---

ETIM classification

ETIM 8.0

EC002498 -  
Accessories/spare  
parts for low-  
voltage switch  
technology