

**maxGUARD  
AMG ELM-10F**

**Weidmüller Interface GmbH & Co. KG**  
Klingenbergstraße 16  
D-32758 Detmold  
Germany  
Fon: +49 5231 14-0  
Fax: +49 5231 14-292083  
www.weidmueller.com



Efficient machine and facility operation calls for fail-safe and maintenance-friendly control voltage distribution that can be installed in a time and space-saving manner.

With the new maxGUARD system, the terminal blocks (previously installed separately) for distributing potential to the outputs of the electronic load monitors become an integral part of a 24 V DC control voltage distribution system.

The innovative combination of load monitoring and potential distribution saves time during installation, increases safety against failure and reduces the amount of space required on the terminal rail by 50%.

**General ordering data**

Type	AMG ELM-10F
Order No.	<a href="#">2080650000</a>
Version	Electronic load monitoring, 10.00 A, 24 V DC
GTIN (EAN)	4050118419320
Qty.	1 pc(s).

**maxGUARD**  
**AMG ELM-10F**

**Weidmüller Interface GmbH & Co. KG**  
 Klingenbergstraße 16  
 D-32758 Detmold  
 Germany  
 Fon: +49 5231 14-0  
 Fax: +49 5231 14-292083  
 www.weidmueller.com

**Technical data**
**Dimensions and weights**

Width	12.2 mm	Width (inches)	0.48 inch
Height	125 mm	Height (inches)	4.921 inch
Depth	96.5 mm	Depth (inches)	3.799 inch
Net weight	57 g		

**Temperatures**

Operating temperature, max.	55 °C	Operating temperature, min.	-25 °C
Storage temperature, max.	85 °C	Storage temperature, min.	-40 °C
Operating temperature	-25 °C...55 °C	Storage temperature	-40 °C...85 °C

**Probability of failure**

MTTF	350 Years
------	-----------

**Input**

Current consumption (full load)	I <sub>OUT</sub> +30 mA	Current consumption (idle)	25 mA
DC input voltage range	18...30 V DC	Input fuse (internal)	Yes
Rated input voltage	24 V DC	Surge protection	Suppressor diode
max. admissible residual ripple at the input	100 mVpp		

**output**

Capacitive load	20,000 µF	Connection system	PUSH IN
Rated current	10 A	Surge protection	Suppressor diode
Switch-on delay	1 s	Triggering characteristic	see characteristic curve
adjustable rated current	No		

**General data**

Conformal coating	No	Function key	Activation time < 3s, Reset, ON
Operating temperature	-25 °C...55 °C	Power loss, idling	408 mW
Power loss, nominal load	1,708 mW	Protection degree	IP20
Relay to activate the output	No	Surge voltage category	III

**Insulation coordination**

Surge voltage category	III
------------------------	-----

**Connection data (output)**

Conductor cross-section, AWG/kcmil , max.	12	Conductor cross-section, AWG/kcmil , min.	26
Conductor cross-section, flexible , max.	2.5 mm <sup>2</sup>	Conductor cross-section, flexible , min.	0.14 mm <sup>2</sup>
Conductor cross-section, rigid , max.	2.5 mm <sup>2</sup>	Conductor cross-section, rigid , min.	0.14 mm <sup>2</sup>
Connection system	PUSH IN	Number of terminals	4 ( ++ / - )
Screwdriver blade	0.6 x 3.5		

**Data sheet**

**maxGUARD  
AMG ELM-10F**


**Weidmüller Interface GmbH & Co. KG**  
 Klingenbergstraße 16  
 D-32758 Detmold  
 Germany  
 Fon: +49 5231 14-0  
 Fax: +49 5231 14-292083  
 www.weidmueller.com

**Technical data**

**Signalling**

LED green	LED red	Load monitoring has disconnected, Load monitoring has triggered (flashing), Internal error (rapid flashing)
Operation (failure-free)		

**Approvals**

Institute (cULus)		Certificate no. (cULus)	E258476
-------------------	---	-------------------------	---------

**Classifications**

ETIM 6.0	EC002057	eClass 6.2	27-37-15-02
eClass 9.1	27-37-10-16		

**Approvals**

Approvals	
ROHS	Conform

**Downloads**

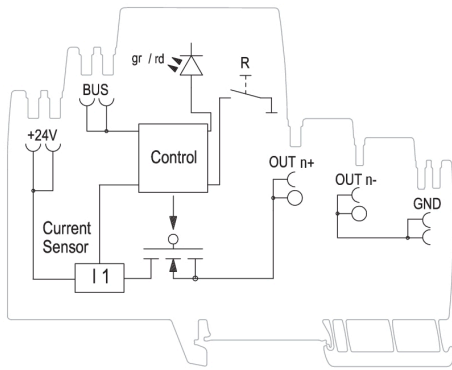
Approval/Certificate/Document of Conformity	<a href="#">Declaration of Conformity</a>
Brochure/Catalogue	<a href="#">CAT 1 TERM 16/17 EN</a>
Engineering Data	<a href="#">EPLAN, WSCAD, Zuken E3.S</a>
Engineering Data	<a href="#">STEP</a>
User Documentation	<a href="#">Operating instructions</a> <a href="#">Manual_maxGUARD</a> <a href="#">Operating instructions</a>

**Data sheet**

**maxGUARD  
AMG ELM-10F**

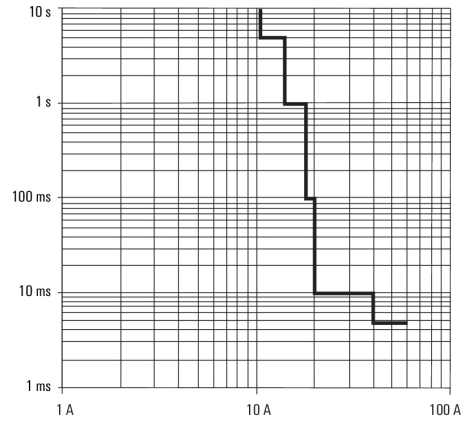
**Weidmüller Interface GmbH & Co. KG**  
 Klingenbergstraße 16  
 D-32758 Detmold  
 Germany  
 Fon: +49 5231 14-0  
 Fax: +49 5231 14-292083  
 www.weidmueller.com

**Drawings**



Schematic circuit diagram

**Tripping characteristic normal**



Tripping characteristic

**maxGUARD  
AMG ELM-10F**

**Weidmüller Interface GmbH & Co. KG**  
Klingenbergstraße 16  
D-32758 Detmold  
Germany  
Fon: +49 5231 14-0  
Fax: +49 5231 14-292083  
www.weidmueller.com

**Accessories**
**ZQV 4N**

**Spring connection with PUSH IN Technology**

The innovative PUSH IN technology reduces the amount of time you spend on wiring to a minimum. Direct insertion guarantees high conductor pull-out forces and simple handling for all conductor types.

**General ordering data**

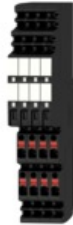
Type	Order No.	GTIN (EAN)	Qty.
ZQV 4N/3 RD	<a href="#">2460810000</a>	4050118476231	60 pc(s).
ZQV 4N/4 RD	<a href="#">2460800000</a>	4050118476224	60 pc(s).
ZQV 4N/5 RD	<a href="#">2460790000</a>	4050118476217	60 pc(s).
ZQV 4N/4	<a href="#">1527970000</a>	4050118332889	60 pc(s).
ZQV 4N/2 BL	<a href="#">1528040000</a>	4050118332773	60 pc(s).
ZQV 4N/6 RD	<a href="#">2460780000</a>	4050118476200	20 pc(s).
ZQV 4N/7 BL	<a href="#">1528180000</a>	4050118333114	20 pc(s).
ZQV 4N/9	<a href="#">1528070000</a>	4050118332797	20 pc(s).
ZQV 4N/9 RD	<a href="#">2460750000</a>	4050118476170	20 pc(s).
ZQV 4N/50	<a href="#">1528240000</a>	4050118333121	5 pc(s).
BL			
ZQV 4N/6 BL	<a href="#">1528170000</a>	4050118332926	20 pc(s).
ZQV 4N/8	<a href="#">1528030000</a>	4050118332841	20 pc(s).
ZQV 4N/10	<a href="#">1528230000</a>	4050118333138	20 pc(s).
BL			
ZQV 4N/6	<a href="#">1527990000</a>	4050118332919	20 pc(s).
ZQV 4N/5	<a href="#">1527980000</a>	4050118332759	60 pc(s).
ZQV 4N/50	<a href="#">1528130000</a>	4050118332902	5 pc(s).
ZQV 4N/8 RD	<a href="#">2460760000</a>	4050118476187	20 pc(s).
ZQV 4N/3	<a href="#">1527940000</a>	4050118332865	60 pc(s).
ZQV 4N/3 BL	<a href="#">1528080000</a>	4050118333008	60 pc(s).
ZQV 4N/10	<a href="#">1528090000</a>	4050118332896	20 pc(s).
ZQV 4N/2 RD	<a href="#">2460450000</a>	4050118476149	60 pc(s).
ZQV 4N/7 RD	<a href="#">2460770000</a>	4050118476194	20 pc(s).
ZQV 4N/5 BL	<a href="#">1528140000</a>	4050118333015	60 pc(s).
ZQV 4N/2	<a href="#">1527930000</a>	4050118332766	60 pc(s).
ZQV 4N/7	<a href="#">1528020000</a>	4050118332780	20 pc(s).
ZQV 4N/10	<a href="#">2460740000</a>	4050118476163	20 pc(s).
RD			
ZQV 4N/4 BL	<a href="#">1528120000</a>	4050118332872	60 pc(s).
ZQV 4N/9 BL	<a href="#">1528220000</a>	4050118333107	20 pc(s).
ZQV 4N/50	<a href="#">2460730000</a>	4050118476156	5 pc(s).
RD			
ZQV 4N/8 BL	<a href="#">1528190000</a>	4050118332858	20 pc(s).

**maxGUARD  
AMG ELM-10F**

**Weidmüller Interface GmbH & Co. KG**  
 Klingenbergstraße 16  
 D-32758 Detmold  
 Germany  
 Fon: +49 5231 14-0  
 Fax: +49 5231 14-292083  
 www.weidmueller.com

**Accessories**

**Standard version for machine construction**



Efficient machine and facility operation calls for fail-safe and maintenance-friendly control voltage distribution that can be installed in a time and space-saving manner.

With the new maxGUARD system, the terminal blocks (previously installed separately) for distributing potential to the outputs of the electronic load monitors become an integral part of a 24 V DC control voltage distribution system.

The innovative combination of load monitoring and potential distribution saves time during installation, increases safety against failure and reduces the amount of space required on the terminal rail by 50%.

**General ordering data**

Type	Order No.	Version	GTIN (EAN)	Qty.
AMG OD	<a href="#">2122910000</a>	Potential distributor	4050118425185	10 pc(s).
AMG PD	<a href="#">2122920000</a>	Potential distributor	4050118425321	10 pc(s).
AMG PP	<a href="#">2123000000</a>	Seperation plate	4050118425338	40 pc(s).
AMG DIS	<a href="#">2123050000</a>	Potential distributor	4050118425413	10 pc(s).
AMG MD	<a href="#">2122930000</a>	Potential distributor	4050118425192	10 pc(s).