

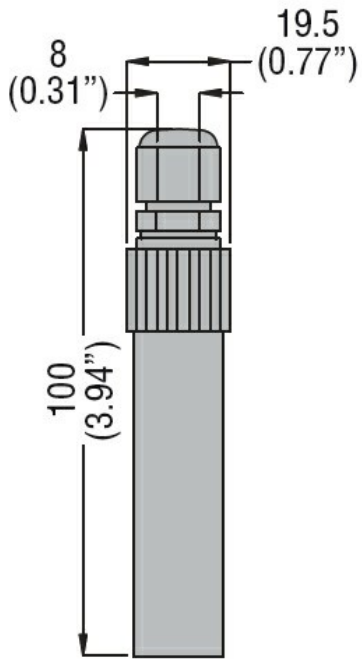


Product designation  
 Product type designation

Probe  
 SN1  
 Single probe for level control in wells or storage tanks. With AISI 303 stainless steel electrode, plastic (PPOX) holder and cable gland. Screw cable connection (section max 2.5mm<sup>2</sup>). Max temperature 60°C.

Function

| Connections             |                       |     |                     |
|-------------------------|-----------------------|-----|---------------------|
| Terminals type          |                       |     | Screw               |
| Conductor cross section | IEC                   | Max | mm <sup>2</sup> 2.5 |
| Ambient conditions      |                       |     |                     |
| Temperature             | Operating temperature | max | °C +60              |
| Housing                 |                       |     |                     |
| Weight                  |                       |     | g 50                |
| Dimensions              |                       |     |                     |



**Certifications and compliance**

Compliance

/

Certificates

EAC