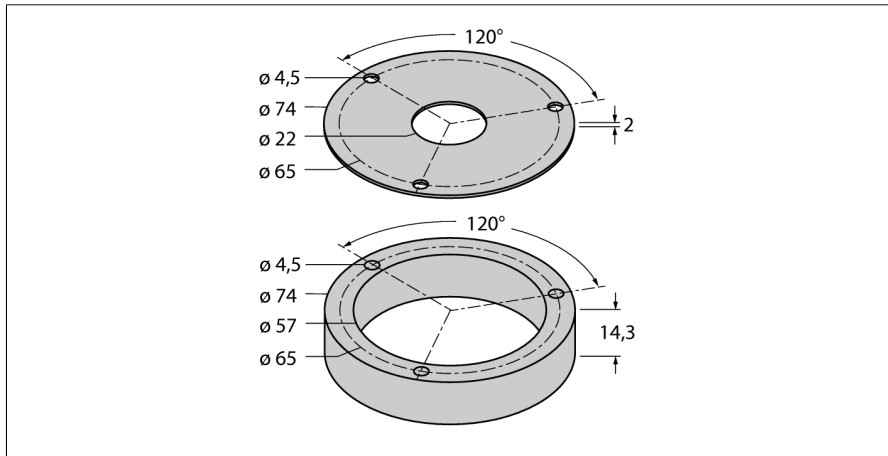


**Aluminium protecting ring and shielding plate  
for inductive encoders Ri-QR24  
M3-QR24**

- Positioning element
- Hollow shaft, internal diameter 6 mm
- Incl. mounting option for shaft adapter

Type code  
Ident no.

M3-QR24  
1590918