

5 Nm RC65 3.9 Watts 3.9 W Part number 82867007



- Torque rating of gearboxes : 5 Nm, metal gears
- Motors : nominal power 3 W / interference suppression for standard stocked products
- Speed range : 1.7 to 344 rpm
- Optional encoder built into the motor

Part numbers

| | Type | Type | Voltage | Output speed (rpm) | Ratios (i) |
|----------|-------|--------|---------|--------------------|------------|
| 82867007 | 3.9 W | 828670 | 24 V | 344 | 12,5 |

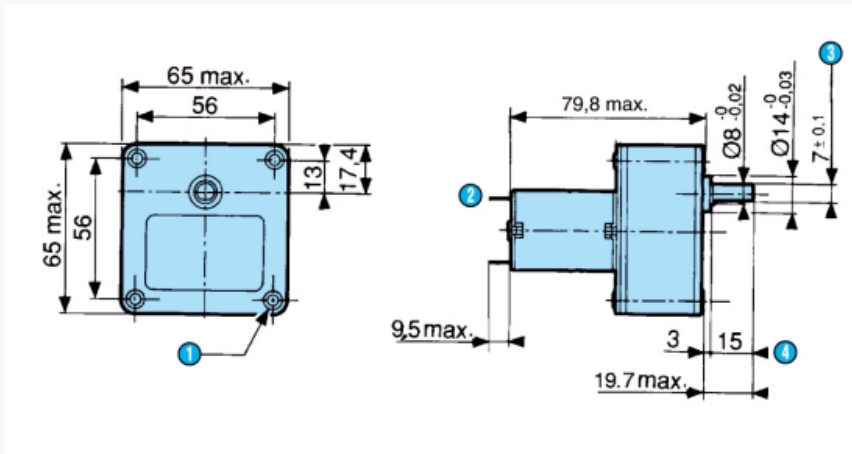
Specifications

General characteristics

| | |
|--|--------|
| Motor | 828600 |
| Gearbox | 810370 |
| Maximum permitted torque from gearmotor under continuous conditions for 1 million turns (Nm) | 5 |
| Axial load dynamic (daN) | 2 |
| Radial load dynamic (daN) | 3 |
| Max. output power (W) | 3,9 |
| Nominal output (W) | 3 |
| Gearbox case temperature rise (°C) | 50 |
| Weight (g) | 465 |

Dimensions (mm)

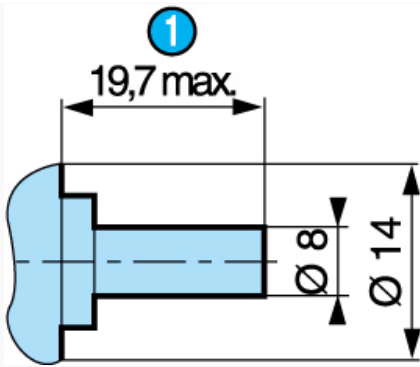
828670



| N° | Legend |
|----|---|
| 1 | 4 fixing holes Ø M4 x 12 |
| 2 | 2 standard tags NFC 20-120, series 2.8 x 0.5 mm |
| 3 | 7 ± 0.1 across flats |
| 4 | Shaft pushed-in |

Dimensions (mm)

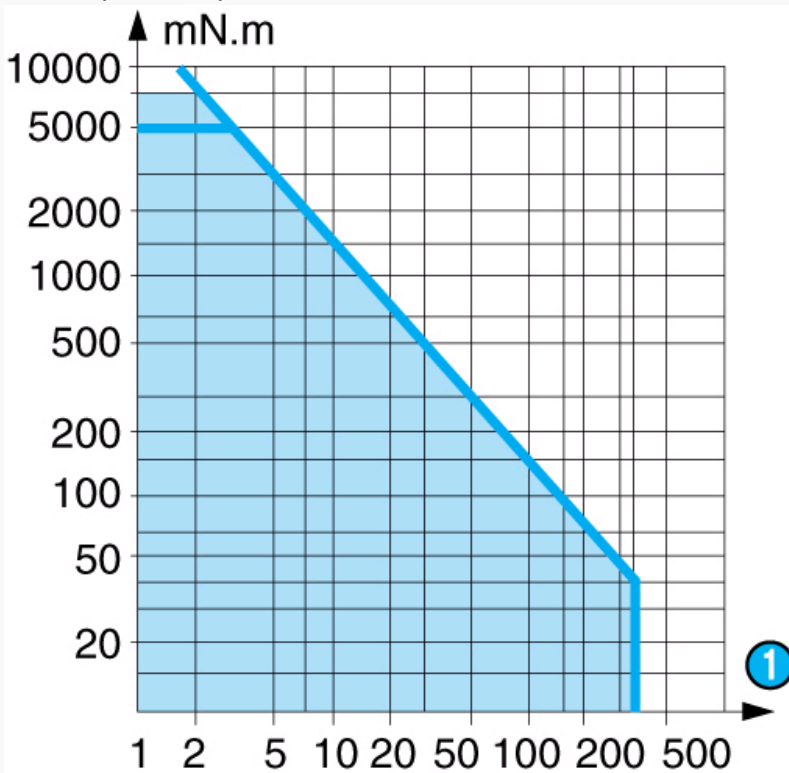
Shaft 79206478



| N° | Legend |
|----|-----------------|
| 1 | Shaft pushed-in |

Curves

Curve : torque/nominal speed



| N° | Legend |
|----|--------|
| 1 | rpm |

Product adaptations



- Special supply voltage
- Lead output
- 1 or 5 pulse Hall effect encoder
- Special connectors
- Special shaft
- Special reduction ratio (40 ratios available from 4 to 3750)
- Special materials for gears
- Special ball bearings
- Special adaptor plate
- EMC filter
- With shorter 1 W motor