



Model Number

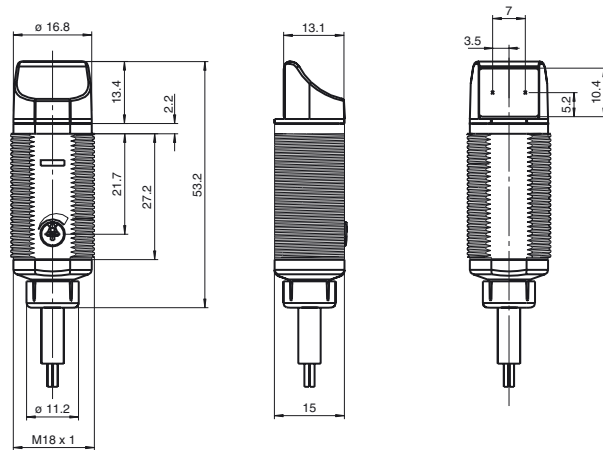
GLV18-8-400-S/25/102/115

Energetic diffuse mode sensor
with 2 m fixed cable

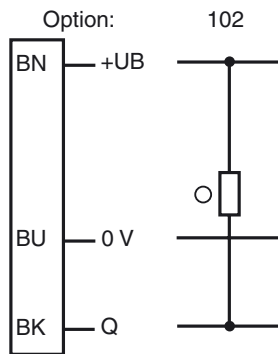
Features

- Short design in M18 plastic housing
- Optical face lateral
- 4 LEDs indicator for 360° all-round visibility
- Optimal price/power ratio

Dimensions



Electrical connection



- = Light on
- = Dark on

Technical data**General specifications**

| | |
|----------------------------|--|
| Detection range | 50 ... 400 mm adjustable |
| Detection range max. | 0 ... 400 mm |
| Light source | LED, red 640 nm |
| Approvals | CE, cULus Listed 57M3 (Only in association with UL Class 2 power supply) |
| Reference target | 100 mm x 100 mm Kodak white |
| Light type | red, modulated light |
| Diameter of the light spot | approx. 30 mm at 400 mm |
| Angle of divergence | approx. 4 ° |
| Optical face | lateral |
| Ambient light limit | 30000 Lux |
| Hysteresis | H < 15 % |

Indicators/operating means

| | |
|--------------------|--|
| Operating display | green LED, statically lit Power on |
| Function display | LED yellow: lights when object is detected ; flashes when falling short of the stability control |
| Operating elements | sensitivity adjuster |

Electrical specifications

| | |
|------------------------|---|
| Operating voltage | 10 ... 30 V DC |
| Protection class | II, rated insulation voltage \dot{U} 250 V AC with degree of pollution 1-2 according to IEC 60664-1 |
| No-load supply current | I_0 < 20 mA |

Output

| | |
|---------------------|--|
| Switching type | light ON |
| Signal output | 1 npn, short-circuit proof, open collector |
| Switching voltage | max. 30 V DC |
| Switching current | max. 100 mA |
| Voltage drop | $U_d \leq 1.5$ V DC |
| Switching frequency | f 500 Hz |
| Response time | ≤ 1 ms |

Standard conformity

| | |
|-----------|--------------|
| Standards | EN 60947-5-2 |
|-----------|--------------|

Ambient conditions

| | |
|---------------------|-------------------------------|
| Ambient temperature | -25 ... 60 °C (248 ... 333 K) |
| Storage temperature | -40 ... 70 °C (233 ... 343 K) |

Mechanical specifications

| | |
|-------------------|-----------------|
| Protection degree | IP67 |
| Connection | fixed cable 2 m |
| Material | |
| Housing | PC |
| Optical face | PMMA |
| Mass | < 100 g |

