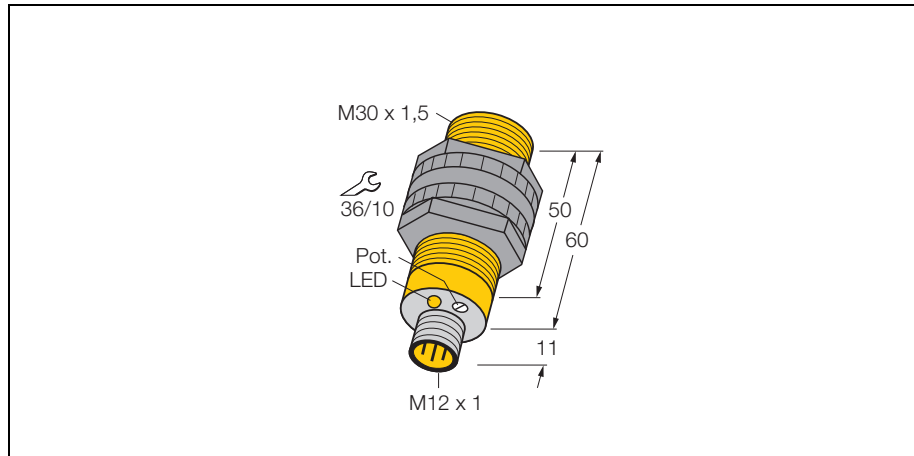
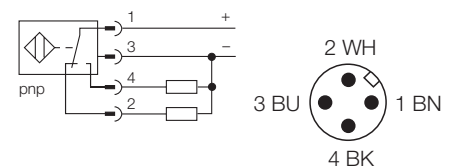


capacitive sensor
BCF10-S30-VP4X-H1141



- threaded barrel, M30 x 1.5
- plastic, PA12-GF30
- fine adjustment via potentiometer
- highly EMC and RFI immune
- Suited for highly viscous media
- 4-wire DC, 10...65 VDC
- change-over, pnp output
- connector, M12 x 1

Wiring diagram



Capacitive proximity switches are designed for non-contact and wear-free detection of metal (electrically conductive) and non-metal (electrically non-conductive) objects.

| | |
|---|----------------------------|
| Type | BCF10-S30-VP4X-H1141 |
| Ident-No. | 2506117 |
| Rated operating distance Sn | 10 mm, flush mounting |
| Rated operating distance Sn | 15 mm, non-flush mounting |
| Hysteresis | 2... 20 % |
| Temperature drift | ≤ ± 20 % |
| Repeatability | ≤ 2 % |
| Ambient temperature | -25...+ 70 °C |
| Operating voltage | 10... 65VDC |
| Residual ripple | ≤ 10 % U _{SS} |
| DC rated operational current | ≤ 200 mA |
| No-load current I ₀ | ≤ 15 mA |
| Residual current | ≤ 0.1 mA |
| Rated insulation voltage | ≤ 0.5 kV |
| Output function | 4-wire, change-over, pnp |
| Short-circuit protection | yes / cyclic |
| Voltage drop at I _e | ≤ 1.8V |
| Wire breakage / Reverse polarity protection | yes / complete |
| Housing | threaded barrel, M30 x 1.5 |
| Dimensions | 91 mm |
| Housing material | plastic, PA12-GF30 |
| Material active face | plastic, PA12-GF30 |
| Tightening torque of housing nut | 5 Nm |
| Connection | connectors, M12 x 1 |
| Vibration resistance | 55 Hz (1 mm) |
| Shock resistance | 30g (11 ms) |
| Degree of protection | IP67 |
| Display switch state | LED yellow |

capacitive sensor
BCF10-S30-VP4X-H1141

TURCK

Industrial
Automation

Accessories

| Type code | Ident-No. | Short text | Dimension drawing |
|-----------|-----------|---|-------------------|
| MAP-M30 | 6950013 | mounting adapter; material: Polypropylene; sensor replacement with filled container possible (adapter remains in container during sensor replacement) | |
| BST-30B | 6947216 | fixing clamp with dead-stop; material: PA6 | |