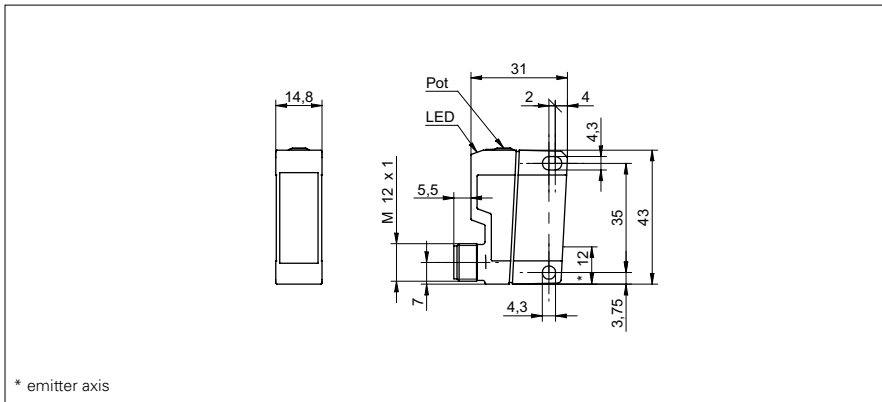


Diffuse sensors with background suppression

OHDK 14P5101/S14

dimension drawing



* emitter axis

general data

type	background suppression
light source	pulsed red laser diode
sensing distance T_w	20 ... 350 mm
sensing range T_b (at T_w max.)	20 ... 350 mm
sensing range T_b (at T_w min.)	5 ... 20 mm
repeat accuracy	< 0,2 mm at laser focus
light indicator	LED yellow
power on indication	LED green
sensing distance adjustment	mechanical, 9 turn
laser class	2
distance to laser focus	115 mm
wave length	650 nm

electrical data

response time / release time	< 0,5 ms
voltage supply range +Vs	10 ... 30 VDC
current consumption max.	35 mA
current consumption typ.	25 mA
voltage drop V_d	< 2,2 VDC
output function	light / dark operate
output circuit	PNP
output current	< 100 mA
short circuit protection	yes
reverse polarity protection	yes

mechanical data

width / diameter	14,8 mm
height / length	43 mm
depth	31 mm
type	rectangular
housing material	plastic (ASA, MABS)
front (optics)	PMMA
connection types	connector M12 4 pin

ambient conditions

operating temperature	-10 ... +50 °C
protection class	IP 67

photo



connection diagram

