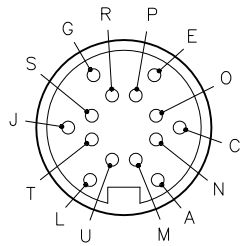



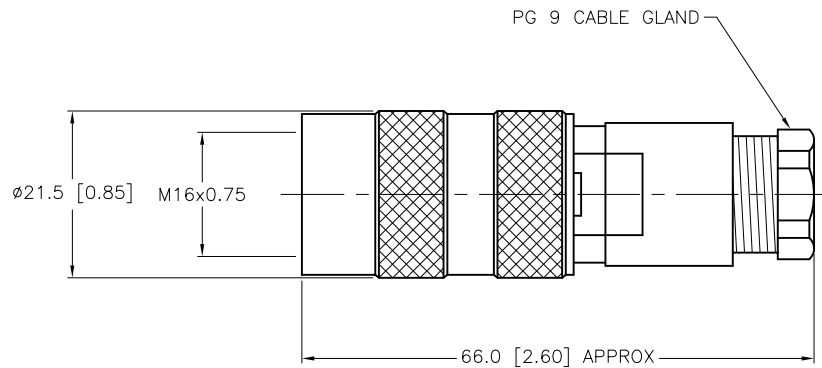
FEMALE END VIEW



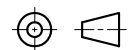
 M16 connector

SPECIFICATIONS

CONTACT CARRIER MATERIAL	NYLON
CONTACT MATERIAL/PLATING	COPPER ALLOY/GOLD
HOUSING MATERIAL	NYLON
COUPLING NUT MATERIAL/PLATING	BRASS/BLACK CHROMIUM
RATED CURRENT [A]	3.0 A
RATED VOLTAGE [V]	60 V AC/DC
TEMPERATURE RANGE	-30°C to +95°C [-22°F to +203°F]
PROTECTION CLASS	MEETS IEC IP67
CABLE GLAND	PG 9 - ACCEPTS 6-8mm CABLE
TERMINATION TYPE	SOLDER CUP
MAX. CONDUCTOR SIZE	24 AWG



SOURCE DRAWING - FOR REFERENCE ONLY

RELATED DOCUMENTS 1. 2. 3. 4.	3RD ANGLE PROJECTION 	THIS DRAWING IS CONFIDENTIAL AND THE PROPERTY OF TURCK INC. USE OF THIS DOCUMENT WITHOUT WRITTEN PERMISSION IS PROHIBITED.		3000 CAMPUS DRIVE MINNEAPOLIS, MN 55441 1-800-544-7769 (763) 553-7300 (763) 553-0708 fax turck.com	
	MATERIAL	ALL DIMENSIONS DISPLAYED ON THIS DRAWING ARE FOR REFERENCE ONLY	DRFT RDS APVD	DATE 03/31/06 SCALE 1=1.0	DESCRIPTION BK 14-0
FINISH	CONTACT TURCK FOR MORE INFORMATION	UNIT OF MEASUREMENT MILLIMETER [INCH]		IDENTIFICATION NO. U2-07158	REV B
DO NOT SCALE THIS DRAWING		FILE: U2-07158		SHEET 1 OF 1	

B	DRAWING PROCESSED AS PART OF ECO 39020	KMY	06/08/12	39020
REV	DESCRIPTION	BY	DATE	ECO NO.