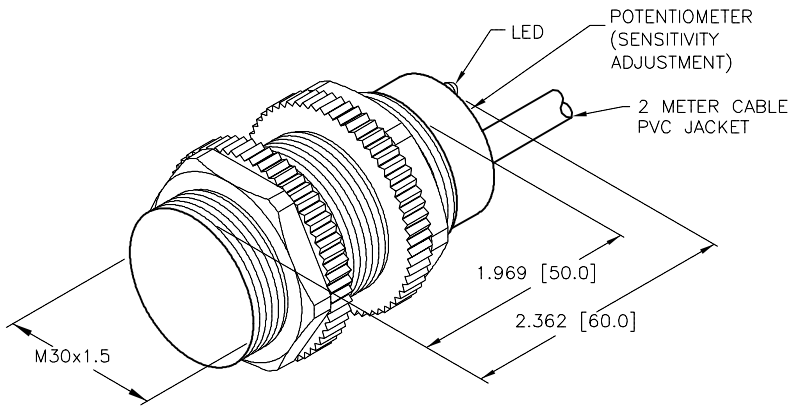


SPECIFICATIONS	
OPERATING VOLTAGE	20-250 VAC
RIPPLE	≤10%
DIFFERENTIAL (TRAVEL) HYSTERESIS	2-20% (5% TYPICAL)
VOLTAGE DROP ACROSS CONDUCTING SENSOR	≤ 7 V at 500 mA
OUTPUT FUNCTION	NORMALLY CLOSED 2 WIRE AC SELF-CONTAINED
TTL COMPATIBLE	NO
SHORT-CIRCUIT PROTECTED	NO
CONTINUOUS LOAD CURRENT	≤ 500 mA
OFF-STATE (LEAKAGE) CURRENT	≤ 1.7 mA
MIN LOAD CURRENT	≥ 5.0 mA
TIME DELAY BEFORE AVAILABILITY	≤ 60 ms
POWER-ON EFFECT PROTECTION	Per IEC 947-5-2
OPERATING TEMPERATURE	-25°C to +70°C (-13°F to +158°F)
ENCLOSURE	MEETS NEMA 1,3,4,6,13 AND IEC IP67
SHOCK	30 g, 11 ms
VIBRATION	55 Hz, 1 mm AMPLITUDE (3 PLANES)
LED ON	RED: OUTPUT ENERGIZED
SENSING RANGE	10 mm = .394" (NOMINAL)
SWITCHING FREQUENCY	20 Hz
REPEATABILITY	≤ 2% OF RATED OPERATING DISTANCE
IMMUNITY TO ESD	8 kV DIRECT/ 30 kV AIRBORNE
IMMUNITY TO RFI	15 V/M, 80-1000 MHz
IMMUNITY TO ELECTRICAL FAST TRANSIENTS	3000 V
IMMUNITY TO LINE COUPLED NOISE	>10V, 150 KHZ-230 MHz
IMMUNITY TO SURGES	5 kV, 500 Ω DC



NOTES: 1. MATERIALS:
 BARREL - PA12-GF30 PLASTIC
 LOCKNUTS - PA12-GF30 PLASTIC
 END CAP - TPU PLASTIC

SOURCE DRAWING - FOR REFERENCE ONLY

RELATED DOCUMENTS 1. 2. 3. 4.	3RD ANGLE PROJECTION	THIS DRAWING IS CONFIDENTIAL AND THE PROPERTY OF TURCK INC. USE OF THIS DOCUMENT WITHOUT WRITTEN PERMISSION IS PROHIBITED.	 High Technology Sensors and Automation Controls 3000 CAMPUS DRIVE MINNEAPOLIS, MN 55441 1-800-544-7769 (763) 553-7300 (763) 553-0708 fax turck.com	
	DRFT JBU DATE 10/29/02		DESCRIPTION	BCF10-S30-RZ3X IDENTIFICATION NO. M2506013 REV C
MATERIAL SEE NOTES	ALL DIMENSIONS DISPLAYED ON THIS DRAWING ARE FOR REFERENCE ONLY	APVD	SCALE 1=1.3	
FINISH SEE NOTES	CONTACT TURCK FOR MORE INFORMATION	DO NOT SCALE THIS DRAWING		FILE: M2506013

C	DRAWING PROCESSED AS PART OF ECO 40019	KMY	09/25/12	40019
REV	DESCRIPTION	BY	DATE	ECO NO.