

Hour meters / timers, electromechanical

Timers with DIN dimensions **DIN counter for panel mount / DIN rail housing, 48 x 48 mm** **H 57 / AH 57**



The hour meters H 57, H 57.55, H 57.72 and AH 57 feature a very high shock resistance. These panel / DIN rail mount counters have a reduced mounting depth. They can be used in many different fields of application. These non-resettable counters are extremely tamper-proof.



Characteristics

- 7 or 8-digit hour meter.
- High shock and impact resistance.
- Without reset, small mounting depth.
- Magnified large figures.
- Protection IP52 (optional IP65), suitable for any mounting position.
- UL-approved.
- Various front bezel sizes
 - H 57 48 x 48 mm
 - H 57.55 55 x 55 mm
 - H 57.72 72 x 72 mm
 - AH 57 48 x 48 mm for DIN rail

Benefits

- 5 years guarantee. ¹⁾
- High reliability: for a better sale of your final product.
- Data retention in case of power failure.
- Long service life.

Applications

General time measurement, maintenance intervals for measuring instruments (respiration units, oxygen, dialysis), small appliances, UV lamps, display panels in vehicles

Type series

Description	Mounting	Front bezel	Type
Standard DIN timer	clip mounting, on rear	48 x 48 mm [1.89 x 1.89"]	H 57
Standard DIN timer	clip mounting, on rear	55 x 55 mm [1.97 x 1.97"]	H 57.55
Standard DIN timer	clip mounting, on rear	72 x 72 mm [2.83 x 2.83"]	H 57.72
Base mount timer	DIN rail 35 mm [1.38"] acc. to DIN EN 50022		AH 57

Accessories	Dimensions in mm [inch]	Order no.
Adapter front bezel, 55 x 55 [2.17 x 2.17]	for cut-out 50 x 50 [1.97 x 1.97] or ø 50.5 [2.17] to cut-out 45 x 45 [1.77 x 1.77], with clip mounting for counters 48 x 48 [1.89 x 1.89] black	T008171
Adapter front bezel, 60 x 75 [2.36 x 2.95]	for cut-out 50 x 50 [1.97 x 1.97] to cut-out 45 x 45 [1.77 x 1.77] with screw mounting for counters 48 x 48 [1.89 x 1.89] black	T008860
Adapter front bezel, 72 x 72 [2.83 x 2.83]	for cut-out 68 x 68 [2.68 x 2.68] to cut-out 45 x 45 [1.77 x 1.77] (Mating clip T009420 must be ordered separately) black	T008177
Adapter front bezel, ø 72 [2.83]	for cut-out ø 60 [2.36] to 45 x 45 [1.77 x 1.77], with clip mounting for counters 48 x 48 [1.89 x 1.89] black	N510226
Base-mount socket	for H 57 black	G008040

Suitable gaskets, other accessories and installation examples for optional accessories can be found in chapter accessories or in the accessories section under: www.kuebler.com/accessories.

1) When used as specified in the technical data

Hour meters / timers, electromechanical

Timers with DIN dimensions	DIN counter for panel mount / DIN rail housing, 48 x 48 mm	H 57 / AH 57
-----------------------------------	---	---------------------

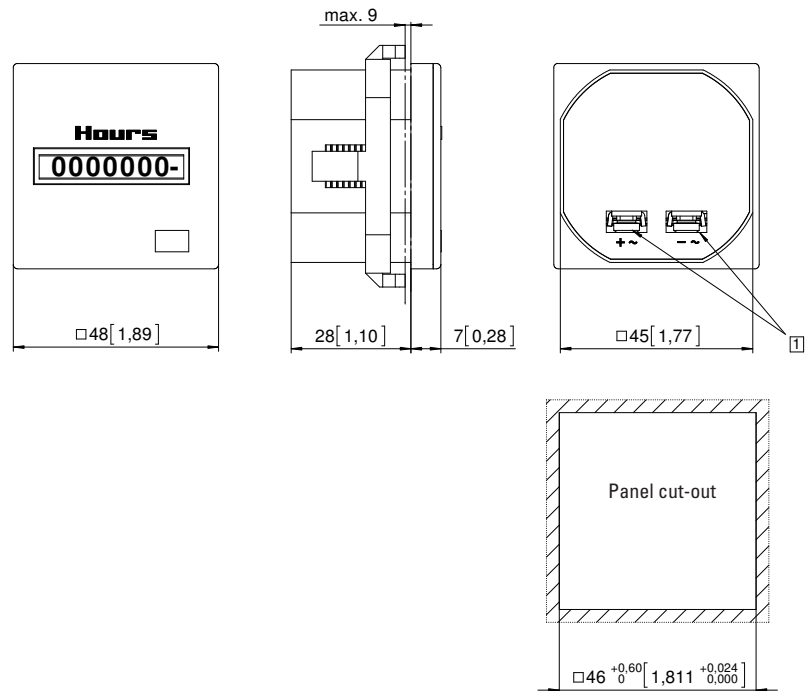
Technical data															
Electrical connection	screw terminals (tightening torque max. 0.8 Nm) wire entry from behind, for \varnothing 2.5 mm ² [AWG13]														
Power consumption	<table border="0"> <tr><td>10 ... 30 V DC</td><td>approx. 500 mW</td></tr> <tr><td>100 ... 130 V DC</td><td>approx. 750 mW</td></tr> <tr><td>20 ... 30 V AC, 50 Hz</td><td>approx. 0.3 VA</td></tr> <tr><td>42 ... 48 V AC, 50 Hz</td><td>approx. 0.25 VA</td></tr> <tr><td>100 ... 130 V AC, 50 Hz</td><td>approx. 0.6 VA</td></tr> <tr><td>187 ... 264 V AC, 50 Hz</td><td>approx. 1.2 VA</td></tr> <tr><td>360 ... 440 V AC, 50 Hz</td><td>approx. 1.65 VA</td></tr> </table>	10 ... 30 V DC	approx. 500 mW	100 ... 130 V DC	approx. 750 mW	20 ... 30 V AC, 50 Hz	approx. 0.3 VA	42 ... 48 V AC, 50 Hz	approx. 0.25 VA	100 ... 130 V AC, 50 Hz	approx. 0.6 VA	187 ... 264 V AC, 50 Hz	approx. 1.2 VA	360 ... 440 V AC, 50 Hz	approx. 1.65 VA
10 ... 30 V DC	approx. 500 mW														
100 ... 130 V DC	approx. 750 mW														
20 ... 30 V AC, 50 Hz	approx. 0.3 VA														
42 ... 48 V AC, 50 Hz	approx. 0.25 VA														
100 ... 130 V AC, 50 Hz	approx. 0.6 VA														
187 ... 264 V AC, 50 Hz	approx. 1.2 VA														
360 ... 440 V AC, 50 Hz	approx. 1.65 VA														
Rated voltages	<table border="0"> <tr><td>AC (50 or 60 Hz)</td><td>20 ... 30 V, 42 ... 48 V, 100 ... 130 V, 187 ... 264 V, 360 ... 440 V</td></tr> <tr><td>DC</td><td>10 ... 30 V, 36 ... 80 V, 100 ... 130 V</td></tr> </table>	AC (50 or 60 Hz)	20 ... 30 V, 42 ... 48 V, 100 ... 130 V, 187 ... 264 V, 360 ... 440 V	DC	10 ... 30 V, 36 ... 80 V, 100 ... 130 V										
AC (50 or 60 Hz)	20 ... 30 V, 42 ... 48 V, 100 ... 130 V, 187 ... 264 V, 360 ... 440 V														
DC	10 ... 30 V, 36 ... 80 V, 100 ... 130 V														
On time	100 %														
Number of digits	<table border="0"> <tr><td>7 at AC</td><td>99999.99 h</td></tr> <tr><td>8 at DC</td><td>999999.99 h</td></tr> </table>	7 at AC	99999.99 h	8 at DC	999999.99 h										
7 at AC	99999.99 h														
8 at DC	999999.99 h														
Count mode	adding														
Height of figures	4 mm [0.16"]														
Color of figures	white and red on black														
Operating temperature	-15°C ... +50°C [+5°F ... +122°F] (non-condensing)														
Storage temperature	-40°C ... +85°C [-40°F ... +185°F]														
Relative humidity	< 95 % (non-condensing)														
Mounting position	any														
Protection	IP52, DIN 40050 (front side)														
EMC standards	EN 55011 class B EN 61000-6-2, EN 61000-6-3														
Device safety	<table border="0"> <tr><td>designed to</td><td>EN 61010 part 1</td></tr> <tr><td>protection class</td><td>2</td></tr> <tr><td>application area</td><td>pollution level 2</td></tr> </table>	designed to	EN 61010 part 1	protection class	2	application area	pollution level 2								
designed to	EN 61010 part 1														
protection class	2														
application area	pollution level 2														
UL approval	file E128604 the version 360 ... 440 V AC is not UL listed														
Housing	plastic PC (Polycarbonate)														
Accuracy	<table border="0"> <tr><td>AC</td><td>supply frequency + 30 ms</td></tr> <tr><td>DC</td><td>< 0.003 % (at 24 h)</td></tr> </table>	AC	supply frequency + 30 ms	DC	< 0.003 % (at 24 h)										
AC	supply frequency + 30 ms														
DC	< 0.003 % (at 24 h)														
Weight	<table border="0"> <tr><td>H 57</td><td>approx. 48 g [1.69 oz]</td></tr> <tr><td>base mount socket no. 48</td><td>36 g [1.27 oz]</td></tr> <tr><td>slip-on bezel 55</td><td>8 g [0.28 oz]</td></tr> <tr><td>slip-on bezel 72</td><td>13 g [0.46 oz]</td></tr> </table>	H 57	approx. 48 g [1.69 oz]	base mount socket no. 48	36 g [1.27 oz]	slip-on bezel 55	8 g [0.28 oz]	slip-on bezel 72	13 g [0.46 oz]						
H 57	approx. 48 g [1.69 oz]														
base mount socket no. 48	36 g [1.27 oz]														
slip-on bezel 55	8 g [0.28 oz]														
slip-on bezel 72	13 g [0.46 oz]														
Operating indicator of the running time meter	<table border="0"> <tr><td>AC</td><td>fast rotating wheel with red dashes</td></tr> <tr><td>DC</td><td>1/100 h display turns continuously by 1 digit in 36 s</td></tr> </table>	AC	fast rotating wheel with red dashes	DC	1/100 h display turns continuously by 1 digit in 36 s										
AC	fast rotating wheel with red dashes														
DC	1/100 h display turns continuously by 1 digit in 36 s														
Test voltage	2000 V AC, 50 Hz for AC counters														

Options							
Color of housing	grey Art. no. 3.22X.400.XXX						
Timer H 57.55 mounted with adapter front bezel 55 x 55 mm [2.17 x 2.17"]	Art. no. 3.221.XXX.XXX						
Timer H 57.72 montiert mit Adapter-Frontrahmen 72 x 72 mm [2.83 x 2.83"]	Art. no. 3.222.XXX.XXX						
Electrical connection	flat pin 0.8 x 6.3 mm [0.031 x 0.25"] Art.-No.: 3.228.401.XXX						
IP65 version, welded front cover	<table border="0"> <tr><td>H 57</td><td>Art. no. 3.220.XXX.XXX.422</td></tr> <tr><td>H 57.55</td><td>Art. no. 3.221.XXX.XXX.423</td></tr> <tr><td>H 57.72</td><td>Art. no. 3.222.XXX.XXX.424</td></tr> </table>	H 57	Art. no. 3.220.XXX.XXX.422	H 57.55	Art. no. 3.221.XXX.XXX.423	H 57.72	Art. no. 3.222.XXX.XXX.424
H 57	Art. no. 3.220.XXX.XXX.422						
H 57.55	Art. no. 3.221.XXX.XXX.423						
H 57.72	Art. no. 3.222.XXX.XXX.424						
Required gaskets	between the counter and the bezel						
	H 57 N511018						
Gasket set	<table border="0"> <tr><td>H 57.55</td><td>N511018 + N511017</td></tr> <tr><td>H 57.72</td><td>N511018 + N511016</td></tr> </table>	H 57.55	N511018 + N511017	H 57.72	N511018 + N511016		
H 57.55	N511018 + N511017						
H 57.72	N511018 + N511016						
(with the IP65 version, the gasket is included in the delivery)							
Further voltages on request							
Counter with cable inlet from underneath, screw fixing from rear Art. no. 3.220.401.XXX.044							

Hour meters / timers, electromechanical

Timers with DIN dimensions **DIN counter for panel mount / DIN rail housing, 48 x 48 mm** **H 57 / AH 57**

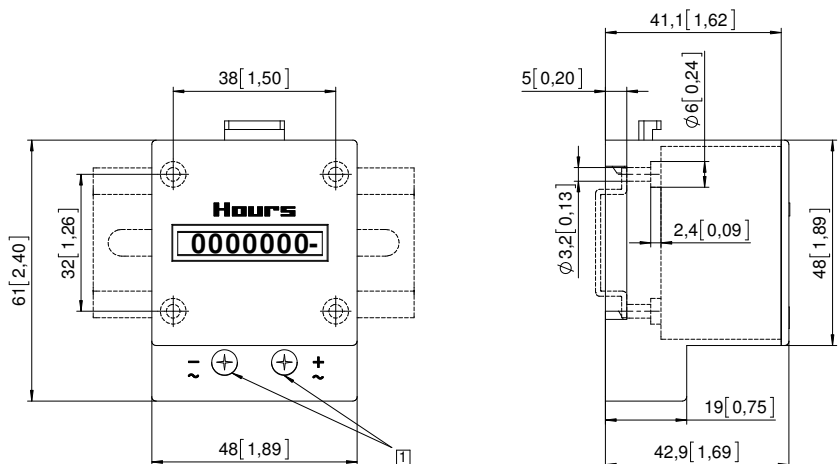
Standard DIN timer
clip mounting, on rear
Type H 57



1) Screw terminal with flat pin x 6.3 [0.031 x 0.25]

Type	Display	Voltage	Art. no.					
			10 ... 30 V	20 ... 30 V	42 ... 48 V	100 ... 130 V	187 ... 264 V	360 ... 440 V
H 57	7 digits	AC (50 Hz)		3.220.401.071 ¹⁾	3.220.401.072	3.220.401.074 ¹⁾	3.220.401.075 ¹⁾	3.220.401.079
	7 digits	AC (60 Hz)		3.220.401.081 ¹⁾	3.220.401.082	3.220.401.084 ¹⁾	3.220.401.085 ¹⁾	3.220.401.089
	8 digits	DC	3.220.401.351 ¹⁾			3.220.401.381		
Further stock types:			3.220.401.075.422	187... 264 V AC, IP65				
			3.220.401.351.422	10 ... 30 V DC, IP65				

Base mount timer
DIN rail mount 35 [1.38] acc. to DIN EN 50022
Type AH 57



1) Screw terminals

Type	Display	Voltage	Art. no.					
			10 ... 30 V	20 ... 30 V	42 ... 48 V	100 ... 130 V	187 ... 264 V	360 ... 440 V
AH 57	7 digits	AC (50 Hz)		3.223.401.071	3.223.401.072	3.223.401.074 ¹⁾	3.223.401.075 ¹⁾	3.223.401.079
	7 digits	AC (60 Hz)		3.223.401.081	3.223.401.082	3.223.401.084 ¹⁾	3.223.401.085 ¹⁾	3.223.401.089
	8 digits	DC	3.223.401.351 ¹⁾			3.223.401.381		