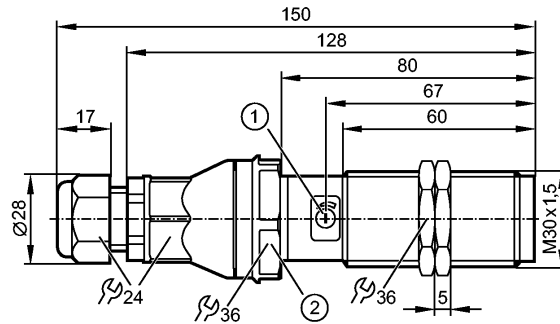


KI503A

KIE4150NCPKG/3D

Capacitive sensors



1: potentiometer
2: tightening torque 10 Nm

Made in Germany



Product characteristics

Capacitive sensor
Plastic thread M30 x 1.5
Terminals
ATEX approval
Group II, category 3D
Sensing range 15 mm; adjustable; [nf] non-flush mountable

Electrical data

Electrical design	DC PNP
Operating voltage [V]	10...30 DC
Current consumption [mA]	< 20
Protection class	III
Reverse polarity protection	yes

Outputs

Output function	normally open / closed complementary
Voltage drop [V]	< 2.5
Leakage current [mA]	0.1
Current rating [mA]	200
Short-circuit protection	Yes (non-latching)
Overload protection	yes
Switching frequency [Hz]	10

Monitoring range

Sensing range [mm]	15, adjustable
Real sensing range (Sr) [mm]	15 ± 10 %

Accuracy / deviations

Hysteresis [% of Sr]	1...15
Switch-point drift [% of Sr]	-20...20

Environment

Ambient temperature [°C]	-20...60
Protection	IP 65 / IP 67

Tests / approvals

Marking of the unit	Ex II 3D Ex tc IIIC T90°C Dc X
EMC	EN 61000-4-2 ESD: kv / 8 kv AD EN 61000-4-3 HF radiated: 3 V/m (80...2000 MHz)

KI503A

KIE4150NCPKG/3D

Capacitive sensors

	EN 61000-4-4 Burst:	2 kV
	EN 61000-4-6 HF conducted:	3 V (0.15...80 MHz)
	EN 55011:	class B
	IEC 60255-5	1 kV (line to line, Ri: 500 Ohm)
MTTF	[Years]	463

Mechanical data

Mounting	non-flush mountable
Housing materials	PBT; PA
Weight	[kg] 0.147

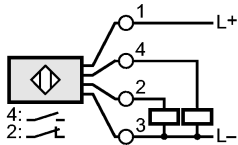
Displays / operating elements

Output status indication	LED	yellow
--------------------------	-----	--------

Electrical connection

Connection	Terminals 0.34 to 1.5 mm ² ; cable diameter 5...9 mm, cable gland M20 x 1.5
------------	--

Wiring



Accessories

Accessories (included)	2 lock nuts
------------------------	-------------

Remarks

Pack quantity	[piece]	1
---------------	---------	---