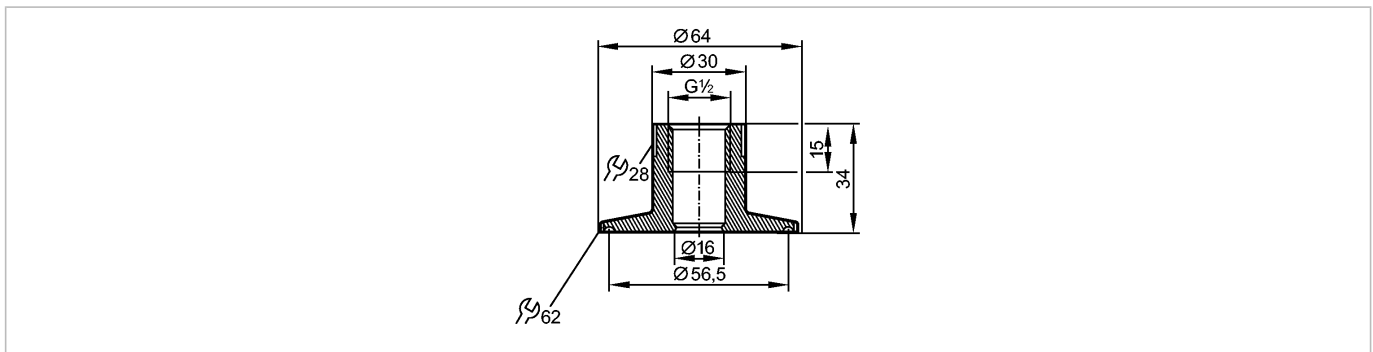


E33402

ADAPT G1/2-CLAMP DIN32676/2

Accessories



EC 1935/2004 EHEDG Certified **FDA**

Product characteristics	
Clamp adapter	
Clamp	
2"	
ISO 2852 / DIN 32676	
for units with G 1/2 adaptation	
Environment	
Pressure rating [bar]	16; to DIN 32676
Tests / approvals	
Standard	DIN 32676
Mechanical data	
Process connection	Clamp adapter 2"
for units with process connection	G 1/2
Housing materials	stainless steel 316L / 1.4404
Surface characteristics Ra / Rz of the wetted part(s)	0.4 / 4
Weight [kg]	0.26
Remarks	
Pack quantity [piece]	1